



**CM MARANGONI SRL**

Viale dell'Industria 15/17

36057 Arcugnano VI

T 0444.544087

F 0444.320201

*info@cmmarangoni.it*

*www.cmmarangoni.com*

# PZ<sup>©</sup>turn

Modular quick-change system

Sistemi portautensili modulari per alta pressione



**MAS**<sup>®</sup>  
TOOLS & ENGINEERING

# System of order numbers

## Shanks

PZ®turn	1	2	3	4	
metric	<b>PZ</b>	<b>1212</b>	<b>R</b>	<b>84</b>	<b>X</b>
imperial	<b>PZ</b>	<b>12.7-12.7</b>	<b>R</b>	<b>84</b>	<b>X</b>

## Designation system

1	<b>Interface</b>	<b>1212</b> <b>12.7-12.7</b>	Square shank 12 x 12 mm Square shank 12.7 x 12.7 mm (1/2")
2	<b>Version</b>	<b>R</b>	Right-hand
3	<b>For shanks</b>	<b>84</b>	Length (mm)
4		<b>X</b>	Code for special products

## Cutting heads

PZ®turn	1	2	3	4	5	6
<b>PZ</b>	<b>12</b>	<b>K</b>	<b>SCLCR</b>	<b>0616</b>	<b>09</b>	<b>X</b>

## Designation system

1	<b>Interface</b>	<b>12</b>	Square shank 12 mm (suitable for all 12 mm or 12.7 mm (1/2") shanks)
2	<b>Version</b>	<b>K</b>	Cutting head
3	<b>Type</b>	<b>SCLCR</b>	Insert type, clamping; mounting position
4	<b>Cutting head size</b>	<b>0616</b>	Dimensions
5	<b>Indexable insert</b>	<b>09</b>	Insert size
6		<b>X</b>	Code for special products

# Shanks

## Square shanks



Square shank	Order number	L	L1	H	H1	H2	Internal cooling connection thread
10	PZ1010R-84	84	71	10	13,5	17,6	M8x1x6
12	PZ1212R-84	84	71	12	16	20,2	M8x1x6
16	PZ1616R-84	84	71	16	20	25,5	G1/8"
1/2"	PZ12.7-12.7R-84	84	71	12,7	16	20,2	5/16"-24 UNF
5/8"	PZ15.8-15.8R-84	84	71	15,8	20	25,5	5/16"-24 UNF

- Steel series
- Special lengths available on request
- Supplied with hexagon head screw
- A Torx screw can also be supplied as a spare part

### SPARE PARTS CLAMPING SCREWS

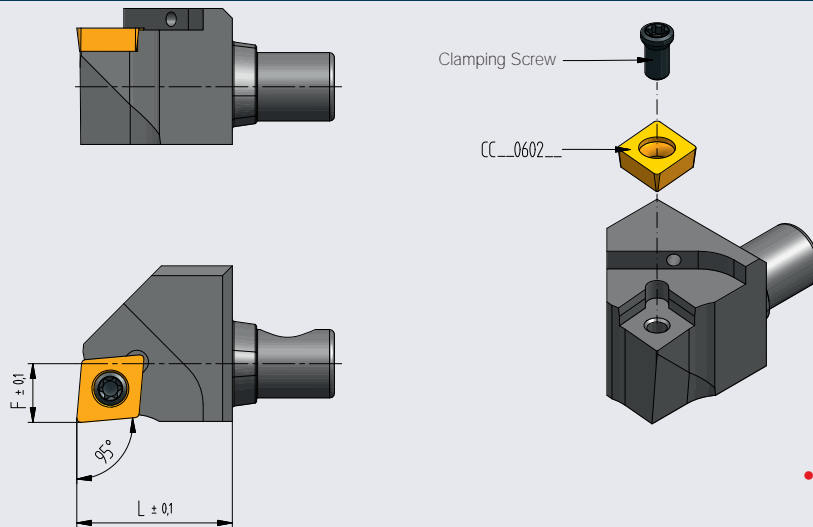
for shank	HEXAGON HEAD SCREW			TORX (alternativ)		
	Order number	AF(mm)	Tightening	Order number	Insert	Tightening
10	M5x0.5x7x60-E22259	SW3,5	3Nm/27lb-in	M5X0.5X7X60-E19303	T10	3Nm/27lb-in
12	M5x0.5x9.5x60-E17019	SW3,5	3Nm/27lb-in	M5x0.5x9.5x60-E274	T10	3Nm/27lb-in
16	M6x0.75x10.5x60-E19291	SW4,5	4Nm/35lb-in	M6x0.75x10.5x60-E17151	T20	4Nm/35lb-in
1/2"	M5x0.5x5x60-E17019	SW3,5	3Nm/27lb-in	M5x0.5x5x60-E274	T10	3Nm/27lb-in
5/8"	M6x0.75x10.5x60-E19291	SW4,5	4Nm/35lb-in	M6x0.75x10.5x60-E17151	T20	4Nm/35lb-in

### SPARE PARTS BLIND PLUGS FOR COOLANT CONNECTION

for shank	Order number	AF(mm)
10 / 12	M8X1X6 GEWINDESTIFT DIN913	SW4
16	HYD-S28	SW5
1/2"	HYD-S1886	SW5/32"
5/8"	HYD-S1886	SW5/32"

# Cutting heads

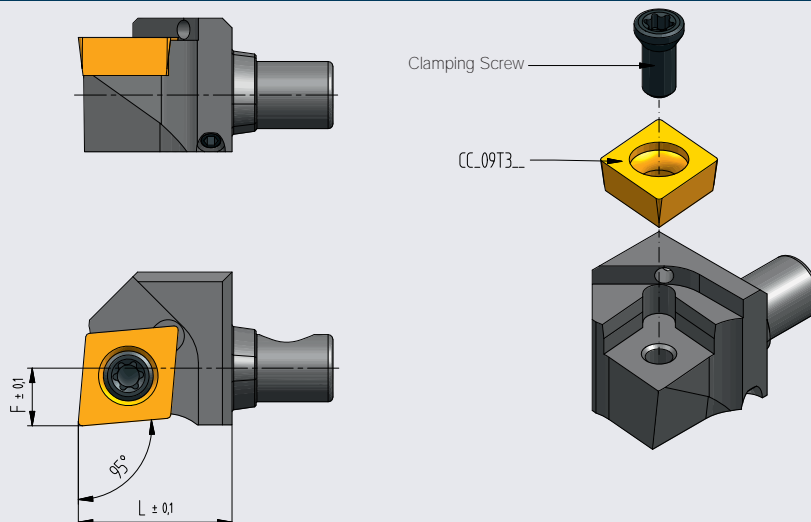
## SCLCR/L...06



	Size	F	L	Indexable insert	Order number	Clamping screw		
NEW	10	5	16	CC...0602	PZ10-K-SCLCR-0516-06	BFTX02506N	1,5Nm/13lb-in	<input type="radio"/>
	12 (1/2")	6	16	CC...0602	PZ12-K-SCLCR-0616-06	BFTX02506N	1,5Nm/13lb-in	<input checked="" type="radio"/>
	16 (5/8")	8	16	CC...0602	PZ16-K-SCLCR-0816-06	BFTX02506N	1,5Nm/13lb-in	<input checked="" type="radio"/>
NEW	10	8	16	CC...0602	PZ10-K-SCLCL-0816-06	BFTX02506N	1,5Nm/13lb-in	<input type="radio"/>
NEW	12 (1/2")	10	16	CC...0602	PZ12-K-SCLCL-1016-06	BFTX02506N	1,5Nm/13lb-in	<input type="radio"/>

in stock  on request

## SCLCR/L...09

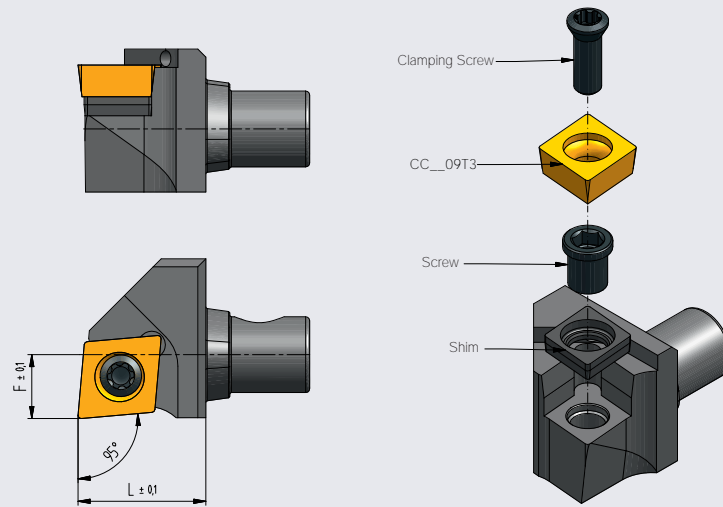


	Size	F	L	Indexable insert	Order number	Clamping screw		
NEW	10	5	16	CC...09T3	PZ10-K-SCLCR-0516-09	BFTX03588	3,4Nm/30lb-in	<input type="radio"/>
	12 (1/2")	6	16	CC...09T3	PZ12-K-SCLCR-0616-09	BFTX03588	3,4Nm/30lb-in	<input checked="" type="radio"/>
	16 (5/8")	8	16	CC...09T3	PZ16-K-SCLCR-0816-09	BFTX03588	3,4Nm/30lb-in	<input checked="" type="radio"/>
NEW	12 (1/2")	10	16	CC...09T3	PZ12-K-SCLCL-1016-09	BFTX03588	3,4Nm/30lb-in	<input type="radio"/>
NEW	16 (5/8")	12	16	CC...09T3	PZ16-K-SCLCL-1216-09	BFTX03588	3,4Nm/30lb-in	<input type="radio"/>

in stock  on request

# Cutting heads

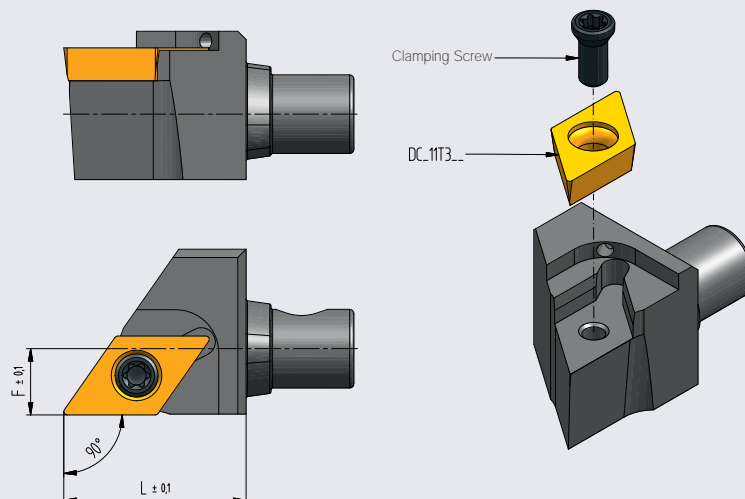
## SCLCR...09-X with shim



Cutting head					Spare parts			
Size	F	L	Indexable insert	Order number	Shim	Clamping screw	Screw	
16 (5/8")	8	16	CC...09T3	PZ16-K-SCLCR-0816-09-X	3609	123511P 3Nm	BLC7	<input type="radio"/>

● in stock ○ on request

## SDACR...11

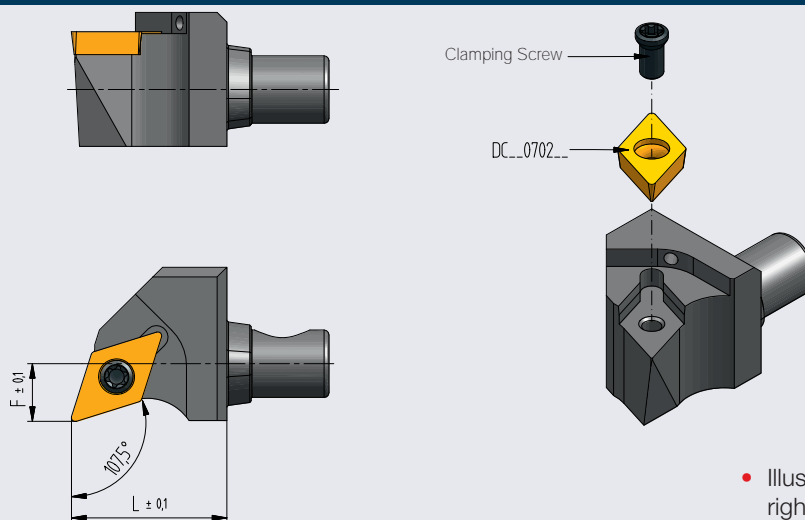


Size	F	L	Indexable insert	Order number	Clamping screw	
16 (5/8")	8	22	DC...11T3	PZ16-K-SDACR-0822-11	BFTX03588 3,4Nm/30lb-in	<input type="radio"/>

● in stock ○ on request

# Cutting heads

## SDHCR/L...07

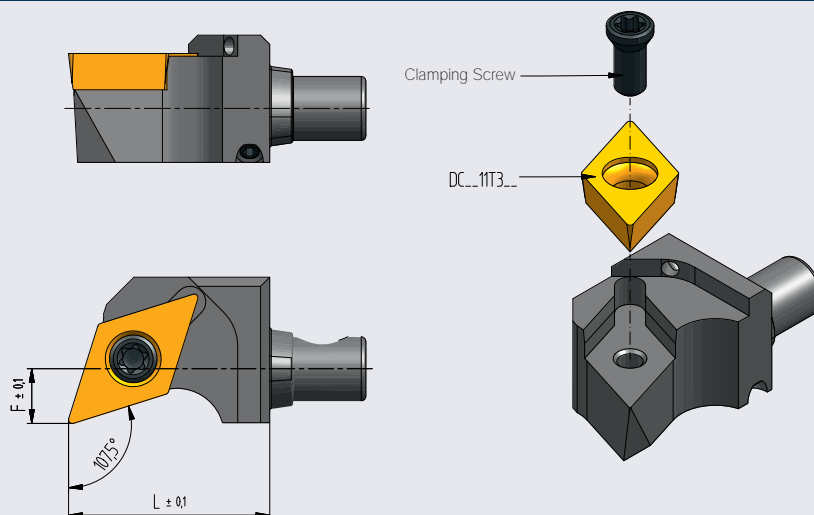


• Illustration shows right version

	Size	F	L	Indexable insert	Order number	Clamping screw	
NEW	10	5	16	DC...0702	PZ10-K-SDHCR-0516-07	BFTX02506N 1,5Nm/13lb-in	○
	12 (1/2")	6	16	DC...0702	PZ12-K-SDHCR-0616-07	BFTX02506N 1,5Nm/13lb-in	●
	16 (5/8")	8	16	DC...0702	PZ16-K-SDHCR-0816-07	BFTX02506N 1,5Nm/13lb-in	●
NEW	10	8	16	DC...0702	PZ10-K-SDHCL-0816-07	BFTX02506N 1,5Nm/13lb-in	○

● in stock ○ on request

## SDHCR...11

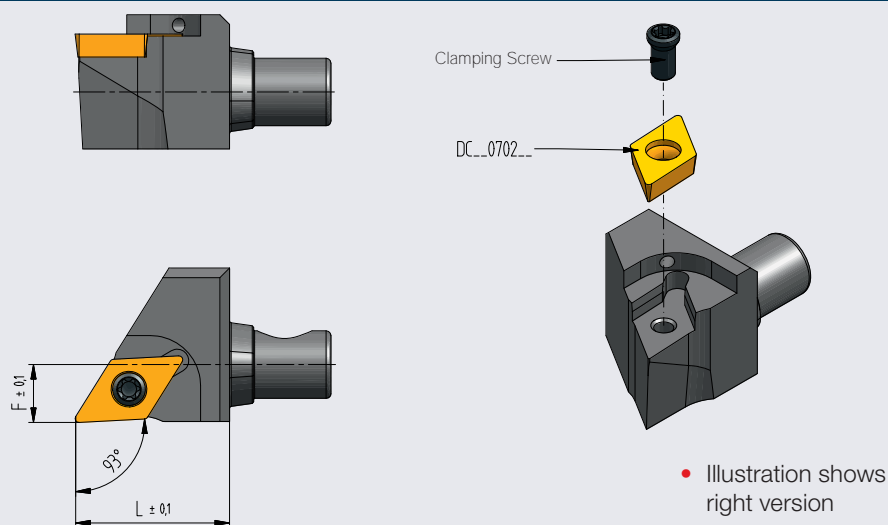


	Size	F	L	Indexable insert	Order number	Clamping screw	
	12 (1/2")	6	22	DC...11T3	PZ12-K-SDHCR-0622-11	BFTX03588 3,4Nm/30lb-in	●
	16 (5/8")	8	22	DC...11T3	PZ16-K-SDHCR-0822-11	BFTX03588 3,4Nm/30lb-in	●

● in stock ○ on request

# Cutting heads

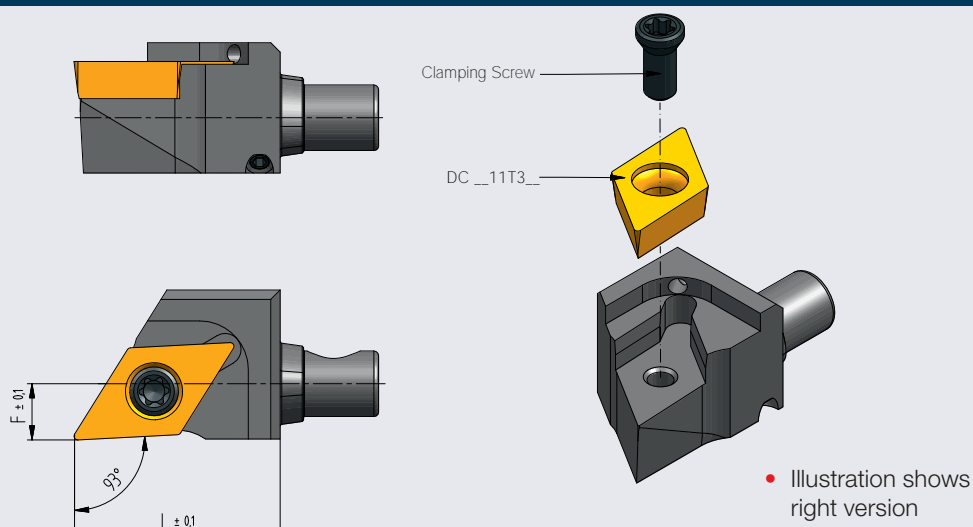
## SDJCR/L...07



	Size	F	L	Indexable insert	Order number	Clamping screw	
NEW	10	5	16	DC...0702	PZ10-K-SDJCR-0516-07	BFTX02506N 1,5Nm/13lb-in	○
	12 (1/2")	6	16	DC...0702	PZ12-K-SDJCR-0616-07	BFTX02506N 1,5Nm/13lb-in	●
	16 (5/8")	8	16	DC...0702	PZ16-K-SDJCR-0816-07	BFTX02506N 1,5Nm/13lb-in	●
NEW	10	8	16	DC...0702	PZ10-K-SDJCL-0816-07	BFTX02506N 1,5Nm/13lb-in	○
	12 (1/2")	10	16	DC...0702	PZ12-K-SDJCL-1016-07	BFTX02506N 1,5Nm/13lb-in	○
	16 (5/8")	12	16	DC...0702	PZ16-K-SDJCL-1216-07	BFTX02506N 1,5Nm/13lb-in	○

● in stock ○ on request

## SDJCR/L...11

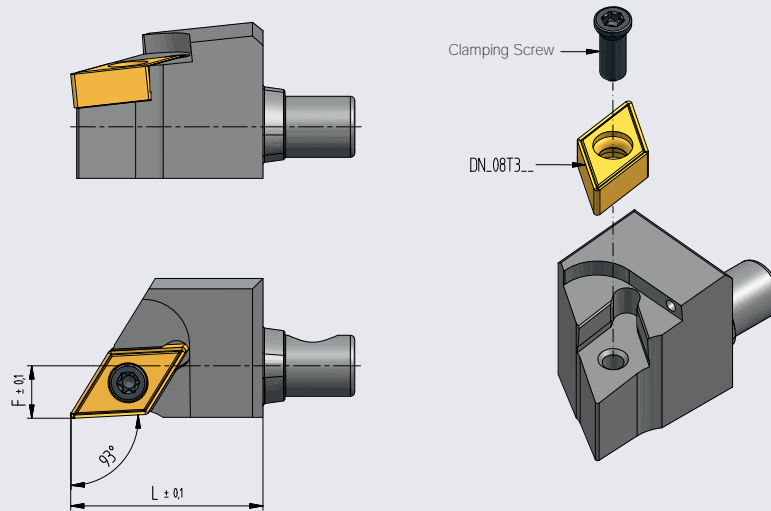


	Size	F	L	Indexable insert	Order number	Clamping screw	
NEW	10	5	20	DC...11T3	PZ10-K-SDJCR-0520-11	BFTX03588N 3,4Nm/30lb-in	○
	12 (1/2")	6	22	DC...11T3	PZ12-K-SDJCR-0622-11	BFTX03588N 3,4Nm/30lb-in	●
	16 (5/8")	8	22	DC...11T3	PZ16-K-SDJCR-0822-11	BFTX03588N 3,4Nm/30lb-in	●
NEW	12 (1/2")	10	22	DC...11T3	PZ12-K-SDJCL-1022-11	BFTX03588N 3,4Nm/30lb-in	○
	16 (5/8")	12	22	DC...11T3	PZ16-K-SDJCL-1222-11	BFTX03588N 3,4Nm/30lb-in	●

● in stock ○ on request

# Cutting heads

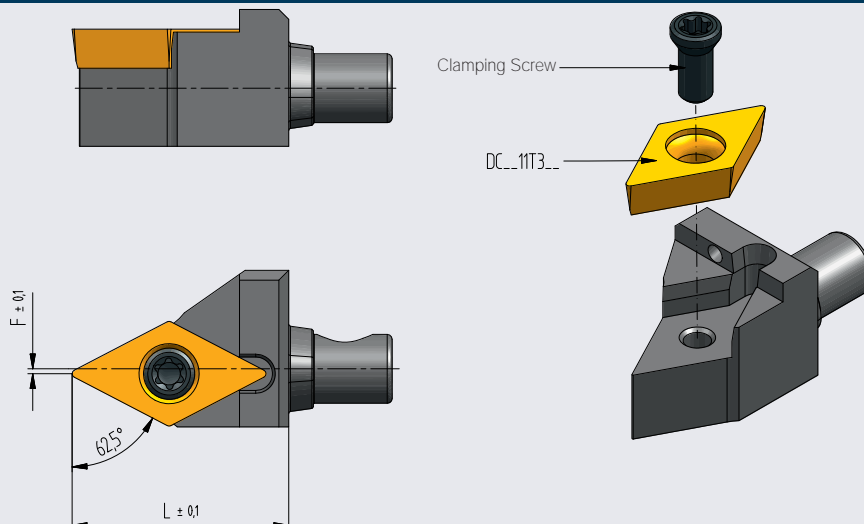
## SDJNR...08



Size	F	L	Indexable insert	Order number	Clamping screw
12 (1/2")	6	22	DN...08T3	PZ12-K-SDJNR-0622-08	BFTX0309N 2Nm/18lb-in <input type="radio"/>
16 (5/8")	8	22	DN...08T3	PZ16-K-SDJNR-0822-08	BFTX0309N 2Nm/18lb-in <input type="radio"/>

● in stock ○ on request

## SDNCN...11



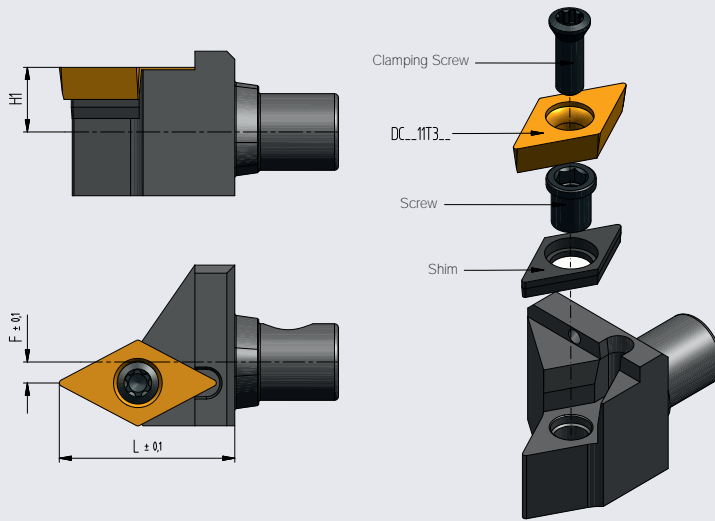
Size	F	L	Indexable insert	Order number	Clamping screw
12 (1/2")	0,5	22	DC...11T3	PZ12-K-SDNCN-0022-11	BFTX03588 3,4Nm/30lb-in <input checked="" type="radio"/>
16 (5/8")	3	22	DC...11T3	PZ16-K-SDNCN-0322-11	BFTX03588 3,4Nm/30lb-in <input checked="" type="radio"/>

● in stock ○ on request



# Cutting heads

## SDNCN-0322-11-X

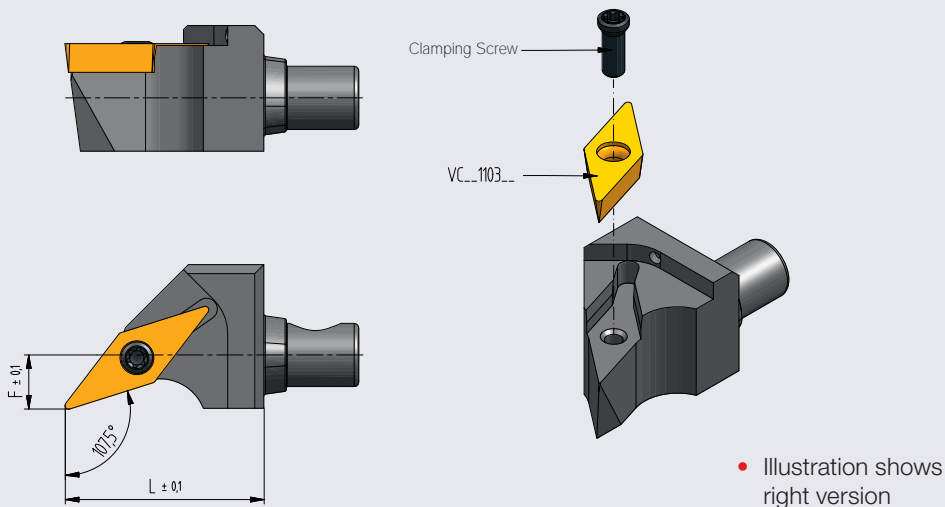


Cutting head					Spare parts			
Size	F	L	Indexable insert	Order number	Shim	Clamping screw	Screw	
<b>NEW</b> 16 (5/8")	3	22	DC...11T3	PZ16-K-SDNCN-0322-11-X	3711	123511P 3Nm	BLC7	<input type="radio"/>

● in stock   ○ on request

# Cutting heads

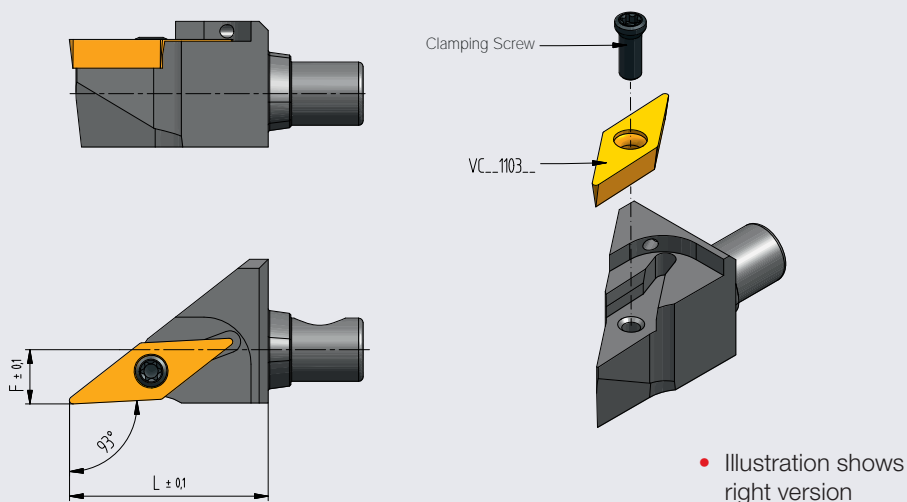
## SVHCR/L...11



	Size	F	L	Indexable insert	Order number	Clamping screw	
NEW	10	5	22	VC...1103	PZ10-K-SVHCR-0522-11	BFTX02508NV 1,5Nm/13lb-in	○
	12 (1/2")	6	22	VC...1103	PZ12-K-SVHCR-0622-11	BFTX02508NV 1,5Nm/13lb-in	●
	16 (5/8")	8	22	VC...1103	PZ16-K-SVHCR-0822-11	BFTX02508NV 1,5Nm/13lb-in	●
NEW	10	8	22	VC...1103	PZ10-K-SVHCL-0822-11	BFTX02508NV 1,5Nm/13lb-in	○
	12 (1/2")	10	22	VC...1103	PZ12-K-SVHCL-1022-11	BFTX02508NV 1,5Nm/13lb-in	○

● in stock ○ on request

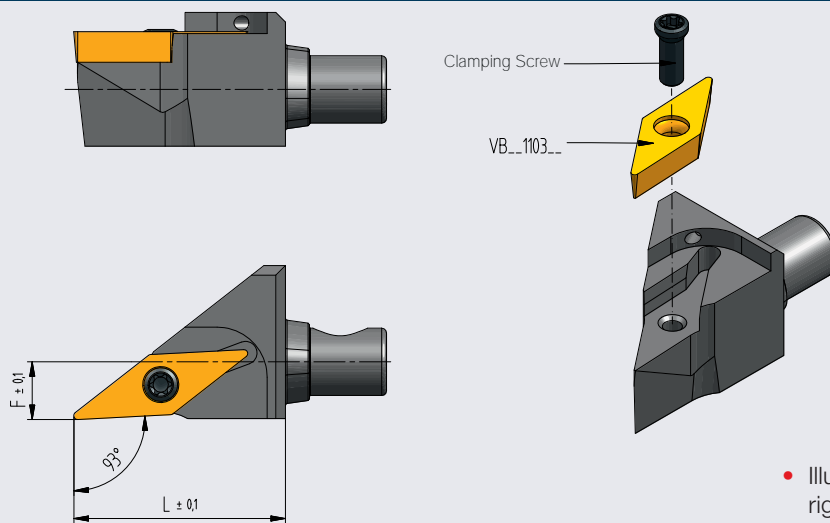
## SVJCR/L...11



	Size	F	L	Indexable insert	Order number	Clamping screw	
NEW	10	5	22	VC...1103	PZ10-K-SVJCR-0522-11	BFTX02508NV 1,5Nm/13lb-in	○
	12 (1/2")	6	22	VC...1103	PZ12-K-SVJCR-0622-11	BFTX02508NV 1,5Nm/13lb-in	●
	16 (5/8")	8	22	VC...1103	PZ16-K-SVJCR-0822-11	BFTX02508NV 1,5Nm/13lb-in	●
NEW	10	8	22	VC...1103	PZ10-K-SVJCL-0816-11	BFTX02508NV 1,5Nm/13lb-in	○
	12 (1/2")	10	22	VC...1103	PZ12-K-SVJCL-1022-11	BFTX02508NV 1,5Nm/13lb-in	○
	16 (5/8")	12	22	VC...1103	PZ16-K-SVJCL-1222-11	BFTX02508NV 1,5Nm/13lb-in	○

# Cutting heads

## SVJBR/L...11

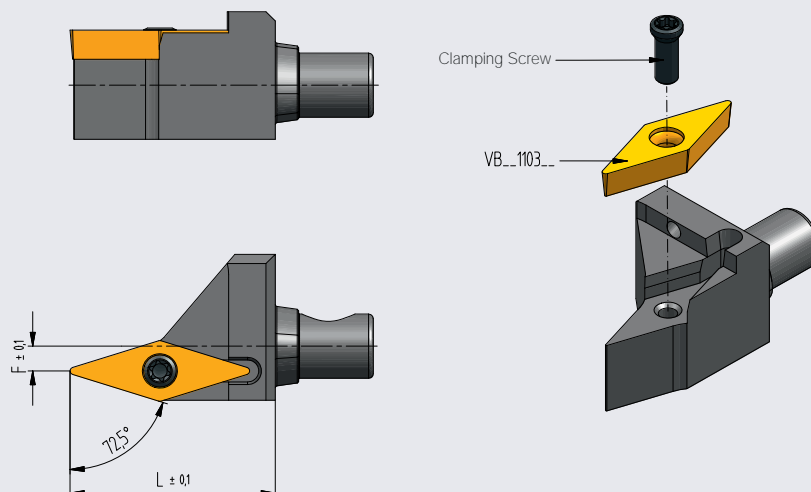


• Illustration shows right version

	Size	F	L	Indexable insert	Order number	Clamping screw	
NEW	12 (1/2")	6	22	VB...1103	PZ12-K-SVJBR-0622-11	BFTX02508NV 1,5Nm/13lb-in	●
	16 (5/8")	8	22	VB...1103	PZ16-K-SVJBR-0822-11	BFTX02508NV 1,5Nm/13lb-in	●
	16 (5/8")	10	22	VB...1103	PZ16-K-SVJBL-1022-11	BFTX02508NV 1,5Nm/13lb-in	○

● in stock ○ on request

## SVNBN...11



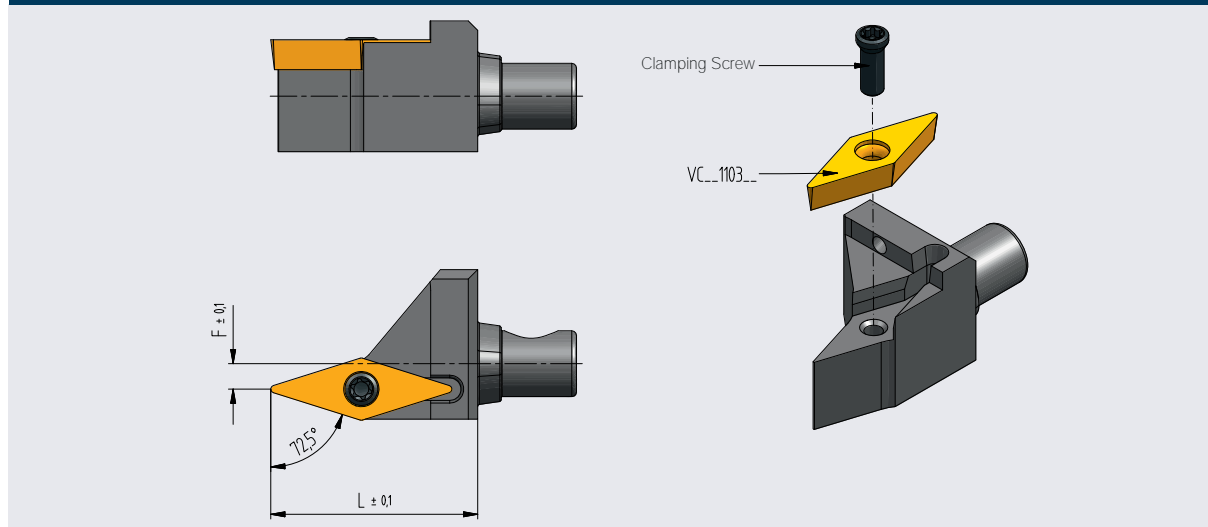
	Size	F	L	Indexable insert	Order number	Clamping screw	
	12 (1/2")	3	22	VB...1103	PZ12-K-SVNBN-0322-11	BFTX02508NV 1,5Nm/13lb-in	○
	16 (5/8")	5	22	VB...1103	PZ16-K-SVNBN-0522-11	BFTX02508NV 1,5Nm/13lb-in	○
NEW	12 (1/2")	3	22	VB...1102*	PZ12-K-SVNBN-0322-11-E23136	BFTX02506N 1,5Nm/13lb-in	○

\* use a VB...1102 insert for the SVNBN..11 head

● in stock ○ on request

# Cutting heads

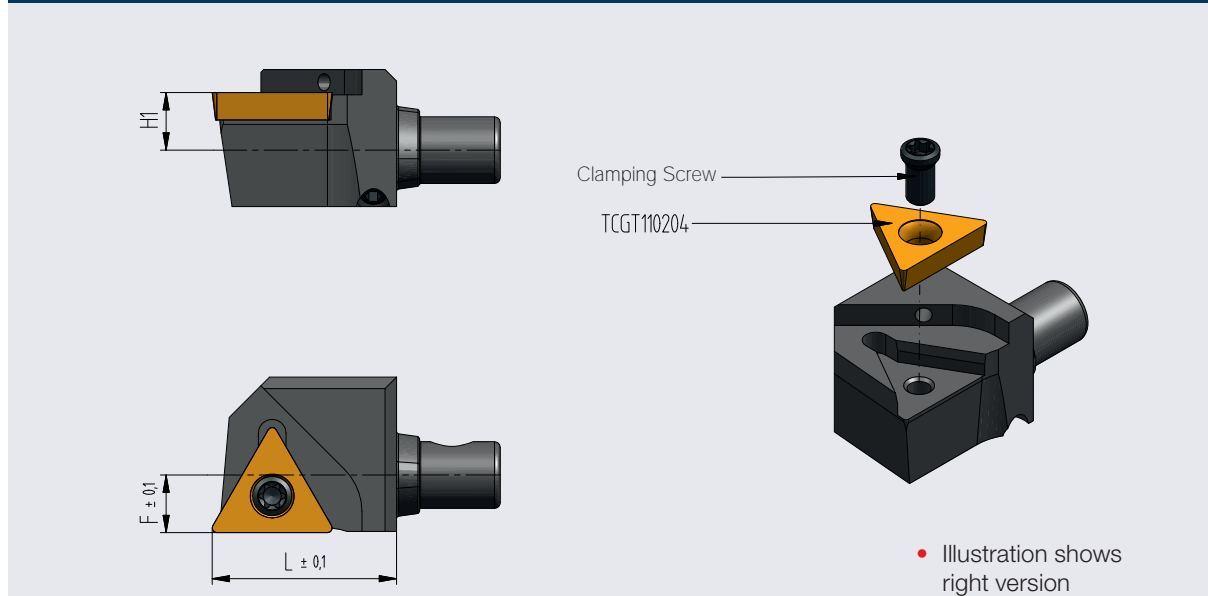
## SVNCN...11



Size	F	L	Indexable insert	Order number	Clamping screw	
<b>NEW</b> 10	2	22	VC...1103	PZ10-K-SVNCN-0222-11	BFTX02508NV 1,5Nm/13lb-in	<input type="radio"/>
12 (1/2")	3	22	VC...1103	PZ12-K-SVNCN-0322-11	BFTX02508NV 1,5Nm/13lb-in	<input type="radio"/>
16 (5/8")	5	22	VC...1103	PZ16-K-SVNCN-0522-11	BFTX02508NV 1,5Nm/13lb-in	<input type="radio"/>

● in stock ○ on request

## STGCR/L.11

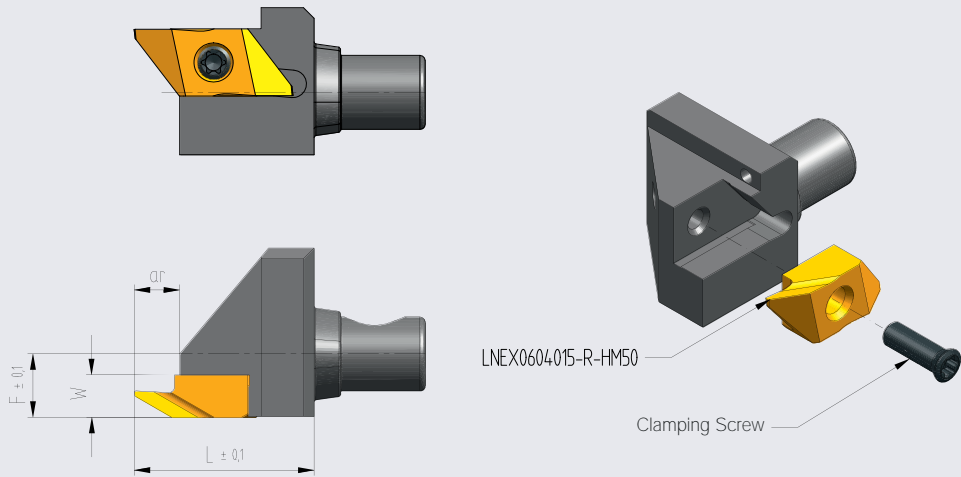


Size	F	L	Indexable insert	Order number	Clamping screw	
<b>NEW</b> 10	5	16	TC...1102	PZ10-K-STGCR-0516-11	BFTX02506N 1,5Nm/13lb-in	5 <input type="radio"/>
<b>NEW</b> 10	8	16	TC...1102	PZ10-K-STGCL-0816-11	BFTX02506N 1,5Nm/13lb-in	5 <input type="radio"/>

● in stock ○ on request

# Cutting heads

## LNEX

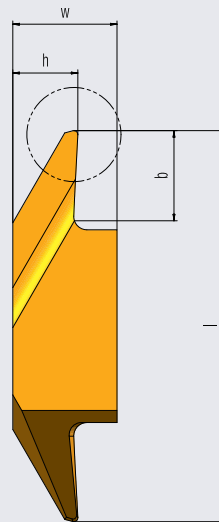
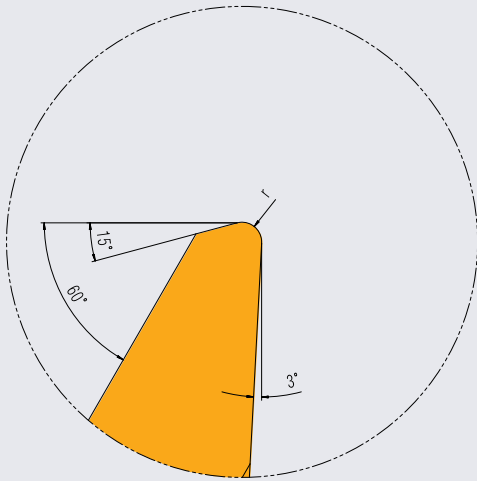


• Illustration shows right version

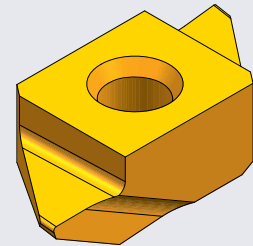
	Size	F	L	Indexable insert	Order number	Clamping screw	W	ar	
NEW	10	5	17	H-L0602	PZ10-K-LNEX-0517-0602	M2,5 x 5,5T x8 3Nm/27lb-in	2,5	4,3	○
	12 (1/2")	6	17	H-L0602	PZ12-K-LNEX-0617-0602	M2,5 x 5,5T x8 3Nm/27lb-in	2,5	4,3	●
	16 (5/8")	8	17	H-L0602	PZ16-K-LNEX-0817-0602	M2,5 x 5,5T x8 3Nm/27lb-in	2,5	4,3	●
NEW	10	5	17	H-L0604	PZ10-K-LNEX-0517-0604	M2,5 x 5,5T x8 3Nm/27lb-in	4	4,3	○
	12 (1/2")	6	17	H-L0604	PZ12-K-LNEX-0617-0604	M2,5 x 5,5T x8 3Nm/27lb-in	4	4,3	○
	16 (5/8")	8	17	H-L0604	PZ16-K-LNEX-0817-0604	M2,5 x 5,5T x8 3Nm/27lb-in	4	4,3	●
NEW	12 (1/2")	6	28	H-L1004	PZ12-K-LNEX-0628-1004	M3,5 x 8,6T x15 3,4Nm/30lb-in	4	6,3	○
NEW	16 (5/8")	8	28	H-L1004	PZ16-K-LNEX-0828-1004	M3,5 x 8,6T x15 3,4Nm/30lb-in	4	6,3	○
NEW	12 (1/2")	6	28	H-L1006	PZ12-K-LNEX-0628-1006	M3,5 x 11T x15 3,4Nm/30lb-in	6	6,3	○
NEW	16 (5/8")	8	28	H-L1006	PZ16-K-LNEX-0828-1006	M3,5 x 11T x15 3,4Nm/30lb-in	6	6,3	○
NEW	16 (5/8")	8	28	H-L1008	PZ16-K-LNEX-0828-1008	M3,5 x 15T x15 3,4Nm/30lb-in	8	6,3	○

● in stock ○ on request

## SWISS<sup>®</sup>line LNEX insert for LNEX head



• Illustration shows right version



Execution	Order number	Coating	l	b	h	W	r	
right-hand	LNEX0604015-R-HM20	no	14	3,5	2,5	4	0,15	●
right-hand	LNEX0604010-R-HM20	no	14	3,5	2,5	4	0,10	●
right-hand	LNEX0604005-R-HM20	no	14	3,5	2,5	4	0,05	●
right-hand	LNEX0604015-R-HM50	yes	14	3,5	2,5	4	0,15	●
right-hand	LNEX0604010-R-HM50	yes	14	3,5	2,5	4	0,10	●
right-hand	LNEX0604005-R-HM50	yes	14	3,5	2,5	4	0,05	●
left-hand	LNEX0604015-L-HM20	no	14	3,5	2,5	4	0,15	●
left-hand	LNEX0604010-L-HM20	no	14	3,5	2,5	4	0,10	●
left-hand	LNEX0604005-L-HM20	no	14	3,5	2,5	4	0,05	●
left-hand	LNEX0604015-L-HM50	yes	14	3,5	2,5	4	0,15	●
left-hand	LNEX0604010-L-HM50	yes	14	3,5	2,5	4	0,10	●
left-hand	LNEX0604005-L-HM50	yes	14	3,5	2,5	4	0,05	●

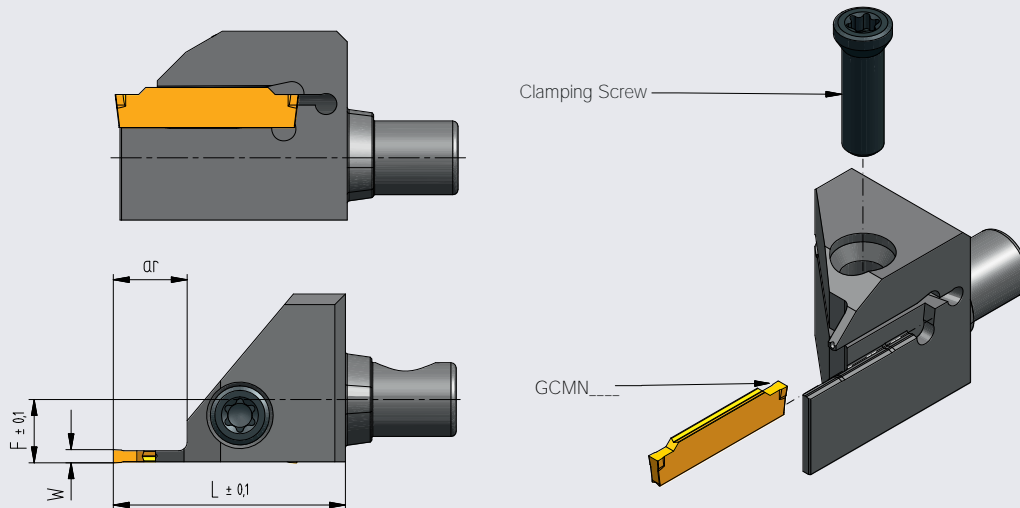
• Other insert variants available on request.

● in stock ○ on request

• HM20 uncoated inserts, HM50 coated inserts

# Cutting heads

## GNDR



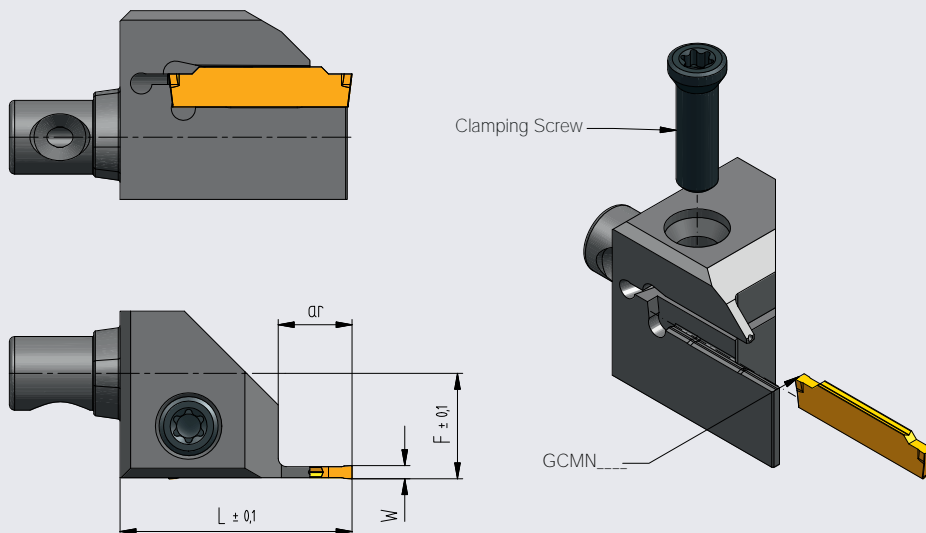
	Size	F	L	Indexable insert	Order number	Clamping screw	W	ar	
NEW	10	5	22	GCMN125005	PZ10-K-GNDR-0522-H12510	BFTX0414 4Nm/35lb-in	1,25	10	○
	12 (1/2")	6	22	GCMN125005	PZ12-K-GNDR-0622-H12507	BFTX0414 4Nm/35lb-in	1,25	7	●
	16 (5/8")	8	22	GCMN125005	PZ16-K-GNDR-0822-H12507	BFTX0414 4Nm/35lb-in	1,25	7	●
	16 (5/8")	8	30	GCMN125005	PZ16-K-GNDR-0830-H12517	BFTX0414 4Nm/35lb-in	1,25	17	○
NEW	10	5	22	GCMN150005	PZ10-K-GNDR-0522-H15010	BFTX0414 4Nm/35lb-in	1,5	10	○
	12 (1/2")	6	22	GCMN150005	PZ12-K-GNDR-0622-H15007	BFTX0414 4Nm/35lb-in	1,5	7	●
	16 (5/8")	8	22	GCMN150005	PZ16-K-GNDR-0822-H15007	BFTX0414 4Nm/35lb-in	1,5	7	●
	16 (5/8")	8	30	GCMN150005	PZ16-K-GNDR-0830-H15017	BFTX0414 4Nm/35lb-in	1,5	17	○
	12 (1/2")	6	25	GCMN2002	PZ12-K-GNDR-0625-H212	BFTX0414 4Nm/35lb-in	2	12	●
	16 (5/8")	8	25	GCMN2002	PZ16-K-GNDR-0825-H212	BFTX0414 4Nm/35lb-in	2	12	●
	16 (5/8")	8	30	GCMN2002	PZ16-K-GNDR-0830-H217	BFTX0414 4Nm/35lb-in	2	17	○
	12 (1/2")	6	25	GCMN3002	PZ12-K-GNDR-0625-H312	BFTX0414 4Nm/35lb-in	3	12	●
	16 (5/8")	8	25	GCMN3002	PZ16-K-GNDR-0825-H312	BFTX0414 4Nm/35lb-in	3	12	●
	16 (5/8")	8	30	GCMN3002	PZ16-K-GNDR-0830-H317	BFTX0414 4Nm/35lb-in	3	17	○

• Other insert variants available on request.

● in stock ○ on request

# Cutting heads

## GNDL



	Size	F	L	Indexable insert	Order number	Clamping screw	W	ar	
NEW	10	8	22	GCMN125005	PZ10-K-GNDL-0822-H12510	BFTX0414 4Nm/35lb-in	1,25	10	○
	12 (1/2")	10	22	GCMN125005	PZ12-K-GNDL-1022-H12507	BFTX0414 4Nm/35lb-in	1,25	7	●
	16 (5/8")	12	22	GCMN125005	PZ16-K-GNDL-1222-H12507	BFTX0414 4Nm/35lb-in	1,25	7	●
	16 (5/8")	12	30	GCMN125005	PZ16-K-GNDL-1230-H12517	BFTX0414 4Nm/35lb-in	1,25	17	○
NEW	10	8	22	GCMN150005	PZ10-K-GNDL-0822-H15010	BFTX0414 4Nm/35lb-in	1,5	10	○
	12 (1/2")	10	22	GCMN150005	PZ12-K-GNDL-1022-H15007	BFTX0414 4Nm/35lb-in	1,5	7	●
	16 (5/8")	12	22	GCMN150005	PZ16-K-GNDL-1222-H15007	BFTX0414 4Nm/35lb-in	1,5	7	●
	16 (5/8")	12	30	GCMN150005	PZ16-K-GNDL-1230-H15017	BFTX0414 4Nm/35lb-in	1,5	17	○
	12 (1/2")	10	25	GCMN2002	PZ12-K-GNDL-1025-H212	BFTX0414 4Nm/35lb-in	2	12	●
	16 (5/8")	12	25	GCMN2002	PZ16-K-GNDL-1225-H212	BFTX0414 4Nm/35lb-in	2	12	●
	16 (5/8")	12	30	GCMN2002	PZ16-K-GNDL-1230-H217	BFTX0414 4Nm/35lb-in	2	17	○
	12 (1/2")	10	25	GCMN3002	PZ12-K-GNDL-1025-H312	BFTX0414 4Nm/35lb-in	3	12	●
	16 (5/8")	12	25	GCMN3002	PZ16-K-GNDL-1225-H312	BFTX0414 4Nm/35lb-in	3	12	●
	16 (5/8")	12	30	GCMN3002	PZ16-K-GNDL-1230-H317	BFTX0414 4Nm/35lb-in	3	17	○

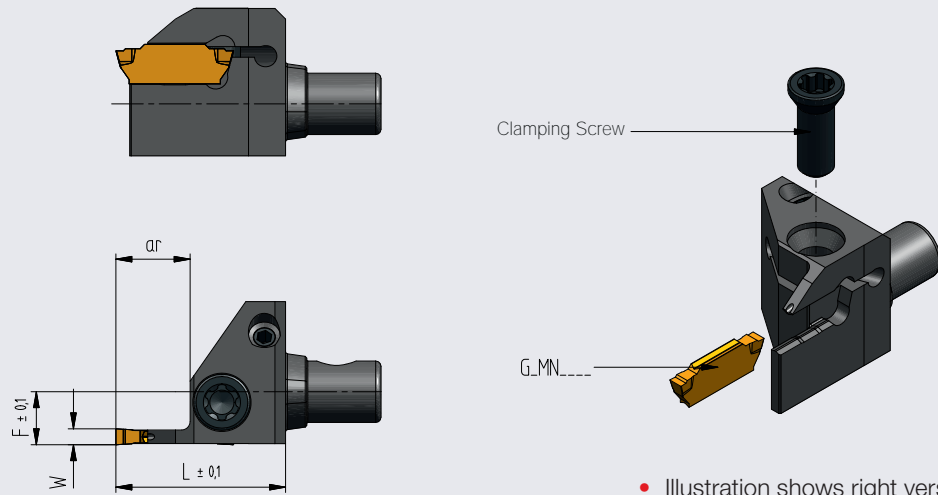
• Other insert variants available on request.

● in stock ○ on request



# Cutting heads

## GXM



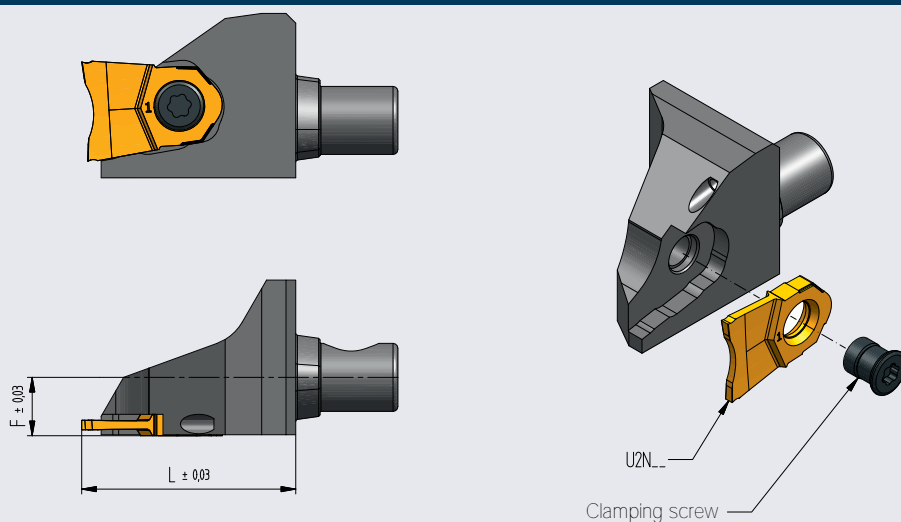
• Illustration shows right version

	Size	F	L	Indexable insert	Order number	Clamping screw	W	ar	
NEW	10	5	16	GXMN150005	PZ10-K-GXMR-0516-H15007	BFTX03510IP15 3Nm/27lb-in	1,5	7	○
NEW	10	5	16	GXMN2002	PZ10-K-GXMR-0516-H207	BFTX03510IP15 3Nm/27lb-in	2	7	○
NEW	10	5	16	GXMN3002	PZ10-K-GXMR-0516-H307	BFTX03510IP15 3Nm/27lb-in	3	7	○
NEW	10	8	16	GXMN150005	PZ10-K-GXML-0816-H15007	BFTX03510IP15 3Nm/27lb-in	1,5	7	○
NEW	10	8	16	GXMN2002	PZ10-K-GXML-0816-H207	BFTX03510IP15 3Nm/27lb-in	2	7	○
NEW	10	8	16	GXMN3002	PZ10-K-GXML-0816-H307	BFTX03510IP15 3Nm/27lb-in	3	7	○

● in stock ○ on request

# Cutting heads

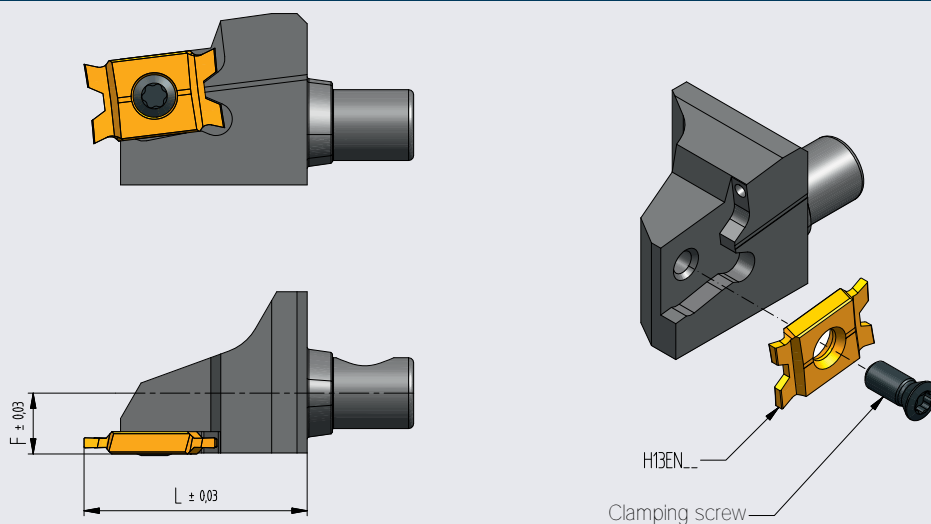
## MAUNR/L - SWISSline



	Size	F	L	Indexable insert	Order number	Clamping screw	
NEW	10	5	22	U2N...	PZ10-K-MAUNR-0522	M4x5RHU13TH 1,4Nm/13lb-in	<input type="radio"/>
NEW	12	6	22	U2N...	PZ12-K-MAUNR-0622	M4x5RHU13TH 1,4Nm/13lb-in	<input type="radio"/>
NEW	16	8	22	U2N...	PZ16-K-MAUNR-0822	M4x5RHU13TH 1,4Nm/13lb-in	<input type="radio"/>
NEW	10	8	22	U2N...	PZ10-K-MAUNL-0822	M4x5RHU13TH 1,4Nm/13lb-in	<input type="radio"/>
NEW	12	10	22	U2N...	PZ12-K-MAUNL-1022	M4x5RHU13TH 1,4Nm/13lb-in	<input type="radio"/>
NEW	16	12	22	U2N...	PZ16-K-MAUNL-1222	M4x5RHU13TH 1,4Nm/13lb-in	<input type="radio"/>

● in stock ○ on request

## MAHER - SWISSline

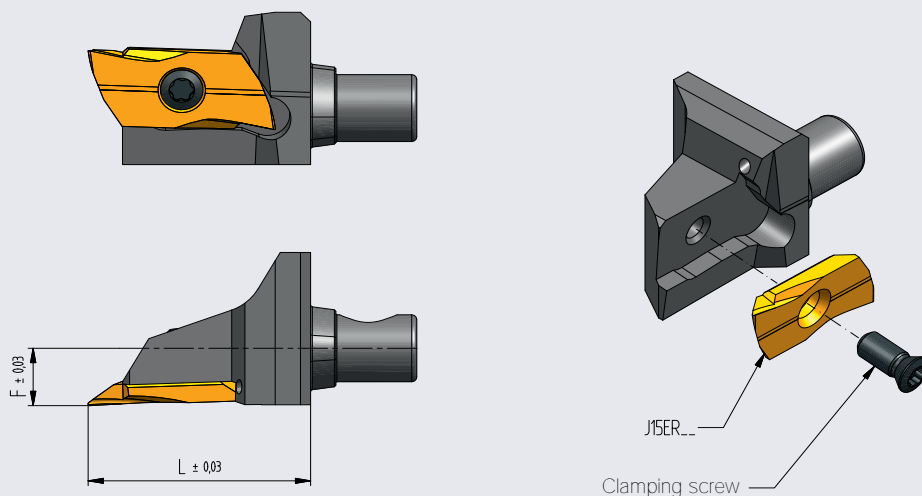


	Size	F	L	Indexable insert	Order number	Clamping screw	
NEW	10	5	22	H13EN...	PZ10-K-MAHER-0522-13	M3x7 1,4Nm/12lb-in	<input type="radio"/>
NEW	12	6	22	H13EN...	PZ12-K-MAHER-0622-13	M3x7 1,4Nm/12lb-in	<input type="radio"/>
NEW	16	8	22	H13EN...	PZ16-K-MAHER-0822-13	M3x7 1,4Nm/12lb-in	<input type="radio"/>

● in stock ○ on request

# Cutting heads

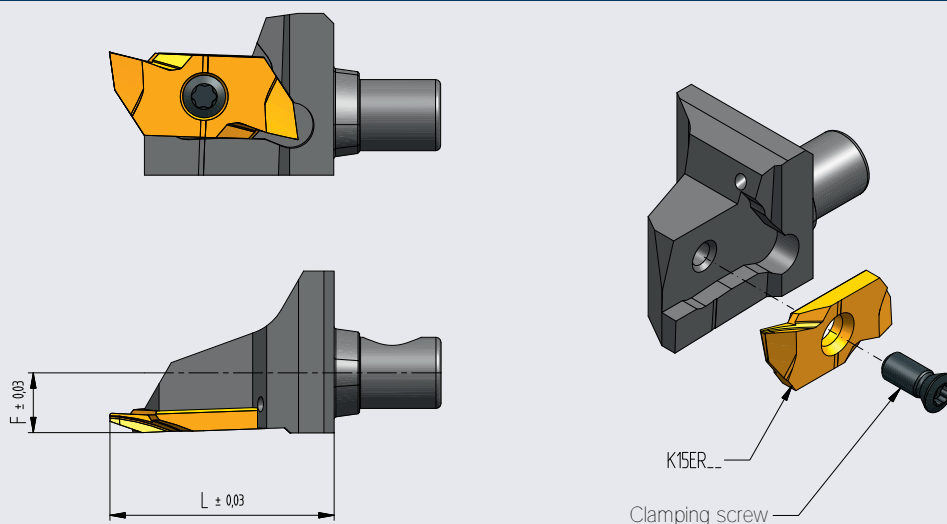
## MAJER - SWISSline



	Size	F	L	Indexable insert	Order number	Clamping screw	
NEW	10	5	22	J15ER...	PZ10-K-MAJER-0522-15-8	M3x7 1,4Nm/12lb-in	<input type="radio"/>
NEW	12	6	22	J15ER...	PZ12-K-MAJER-0622-15-8	M3x7 1,4Nm/12lb-in	<input type="radio"/>
NEW	16	8	22	J15ER...	PZ16-K-MAJER-0822-15-8	M3x7 1,4Nm/12lb-in	<input type="radio"/>

● in stock ○ on request

## MAKER - SWISSline

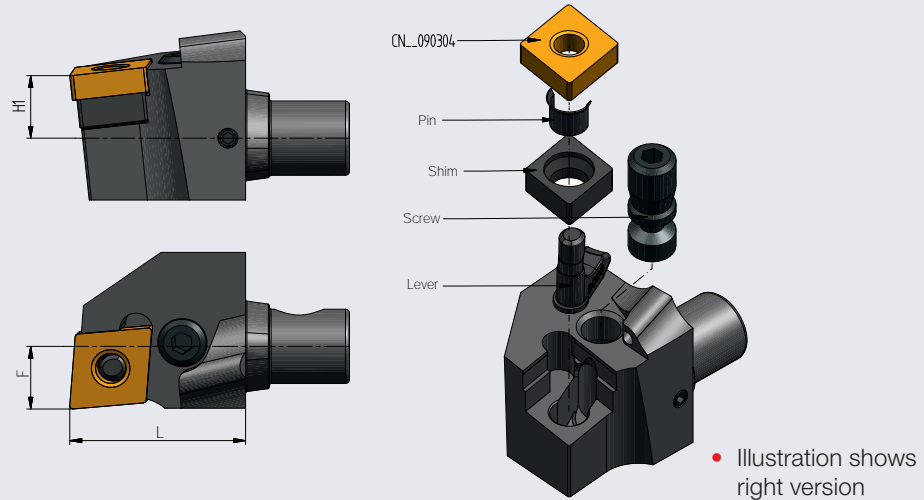


	Size	F	L	Indexable insert	Order number	Clamping screw	
NEW	10	5	22	K15ER...	PZ10-K-MAKER-0522-15-2	M3x7 1,4Nm/12lb-in	<input type="radio"/>
NEW	12	6	22	K15ER...	PZ12-K-MAKER-0622-15-2	M3x7 1,4Nm/12lb-in	<input type="radio"/>
NEW	16	8	22	K15ER...	PZ16-K-MAKER-0822-15-2	M3x7 1,4Nm/12lb-in	<input type="radio"/>

● in stock ○ on request

# Cutting heads

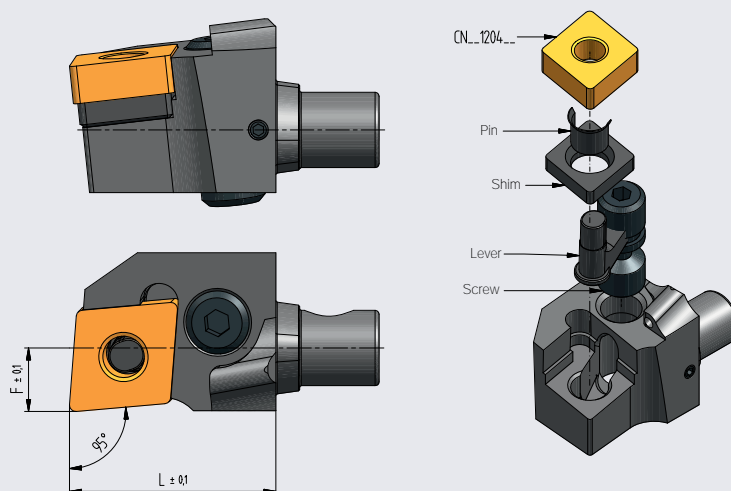
## PCLNR/L...09



Cutter head					Spare parts			
Size	F	L	Indexable insert	Order number	Shim	Lever	Clamping Screw	Pin
<b>NEW</b> 12 (1/2")	6	22	CN...0903	PZ12-K-PCLNR-0622-09	3608	8009	1606 3,5Nm/31lb-in	4109
<b>NEW</b> 16 (5/8")	8	22	CN...0903	PZ16-K-PCLNR-0822-09	3608	8009	1606 3,5Nm/31lb-in	4109
<b>NEW</b> 12 (1/2")	10	22	CN...0903	PZ12-K-PCLNL-1022-09	3608	8009	1606 3,5Nm/31lb-in	4109
<b>NEW</b> 16 (5/8")	12	22	CN...0903	PZ16-K-PCLNL-1222-09	3608	8009	1606 3,5Nm/31lb-in	4109

● in stock ○ on request

## PCLNR...12

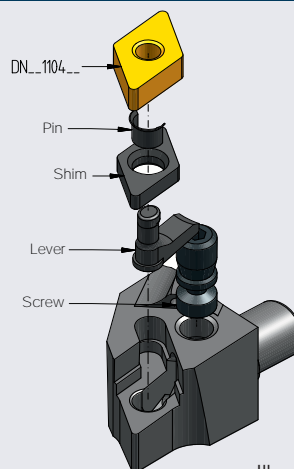
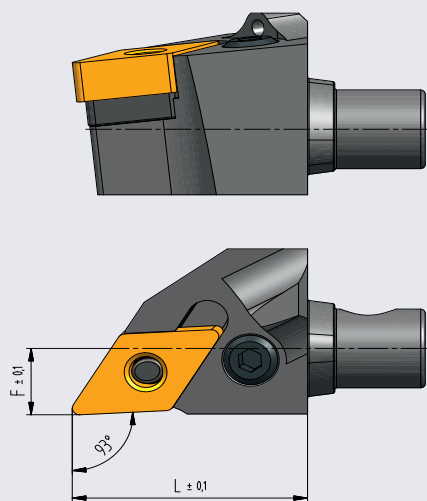


Cutting head					Spare parts			
Size	F	L	Indexable insert	Order number	Shim	Lever	Clamping Screw	Pin
16 (5/8")	8	26	CN...1204	PZ16-K-PCLNR-0826-12	3612	8012	1608 5,0Nm/44lb-in	4112

● in stock ○ on request

# Cutting heads

## PDJNR/L...11

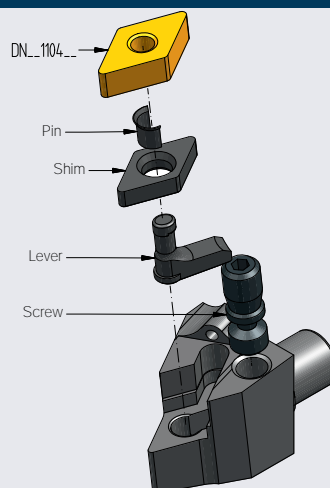
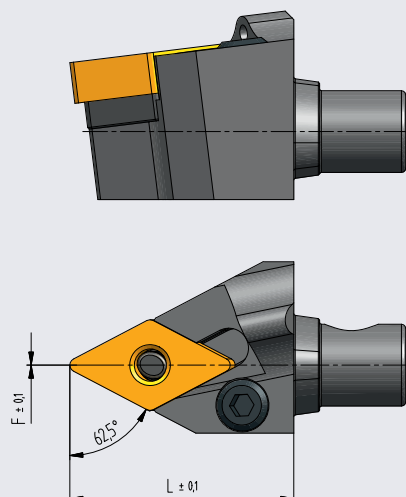


• Illustration shows right version

Cutting head					Spare parts					
Size	F	L	Indexable insert	Order number	Shim	Lever	Clamping Screw		Pin	
16 (5/8")	8	26	DN...1104	PZ16-K-PDJNR-0826-11	3710	8411	1606	3,5Nm/31lb-in	4108	○
16 (5/8")	12	26	DN...1104	PZ16-K-PDJNL-1226-11	3710	8411	1606	3,5Nm/31lb-in	4108	○

● in stock ○ on request

## PDNNN...11

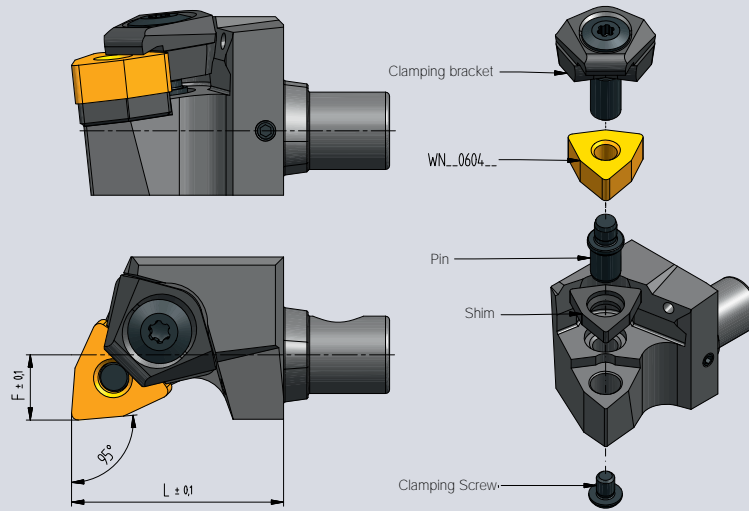


Cutting head					Spare parts					
Size	F	L	Indexable insert	Order number	Shim	Lever	Clamping Screw		Pin	
16 (5/8")	0	26	DN...1104	PZ16-K-PDNNN-0026-11	3710	8411	1606 / 3,5Nm/31lb-in		4108	○

● in stock ○ on request

# Cutting heads

## DWLNR...06

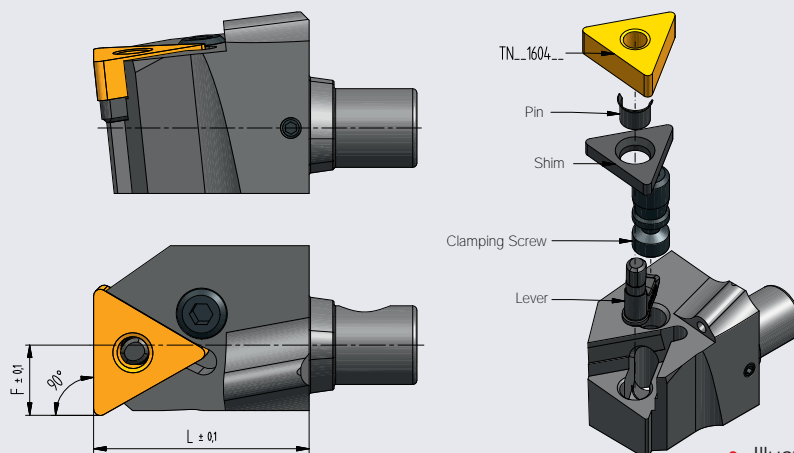


Cutting head					Spare parts				
Size	F	L	Indexable insert	Order number	Shim	Clamping bracket	Clamping Screw	Pin	
16 (5/8")	8	26	WN...0604	PZ16-K-DWLNR-0826-06	3306	100-53	100-86	4188	○

● in stock ○ on request

# Cutting heads

## PTFNR/L...16

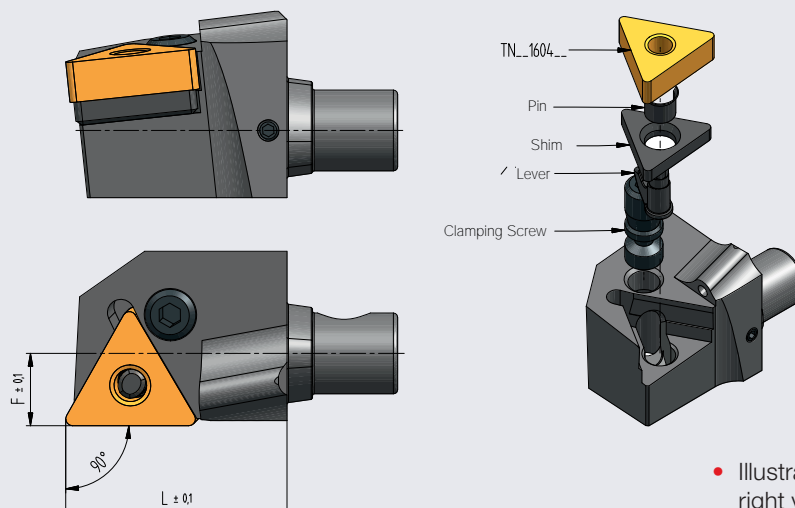


• Illustration shows right version

Cutting head					Spare parts				
Size	F	L	Indexable insert	Order number	Shim	Lever	Clamping Screw	Pin	
16 (5/8")	8	26	TN...1604	PZ16-K-PTFNR-0826-16	3416	8009	1606 / 3,5Nm/31lb-in	4109	○
16 (5/8")	12	26	TN...1604	PZ16-K-PTFNL-1226-16	3416	8009	1606 / 3,5Nm/31lb-in	4109	○

● in stock ○ on request

## PTGNR/L...16



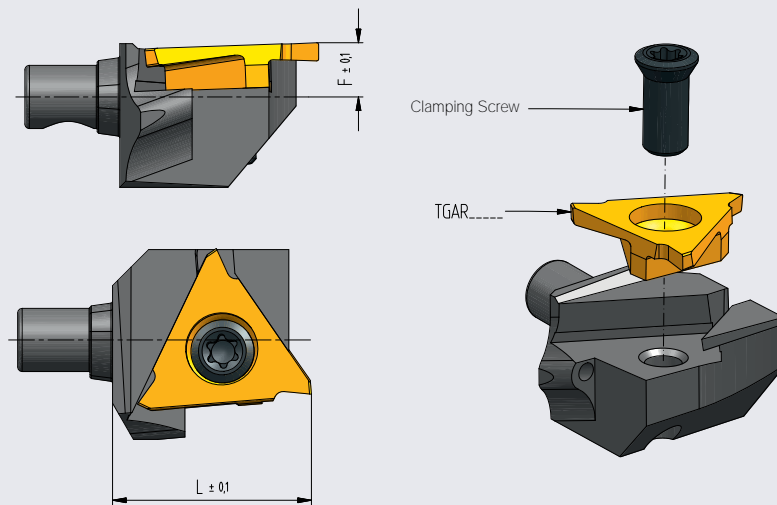
• Illustration shows right version

Cutting head					Spare parts				
Size	F	L	Indexable insert	Order number	Shim	Lever	Clamping Screw	Pin	
16 (5/8")	8	26	TN...1604	PZ16-K-PTGNR-0826-16	3416	8009	1606 / 3,5Nm/31lb-in	4109	○
16 (5/8")	12	26	TN...1604	PZ16-K-PTGNL-1226-16	3416	8009	1606 / 3,5Nm/31lb-in	4109	○

● in stock ○ on request

# Cutting heads

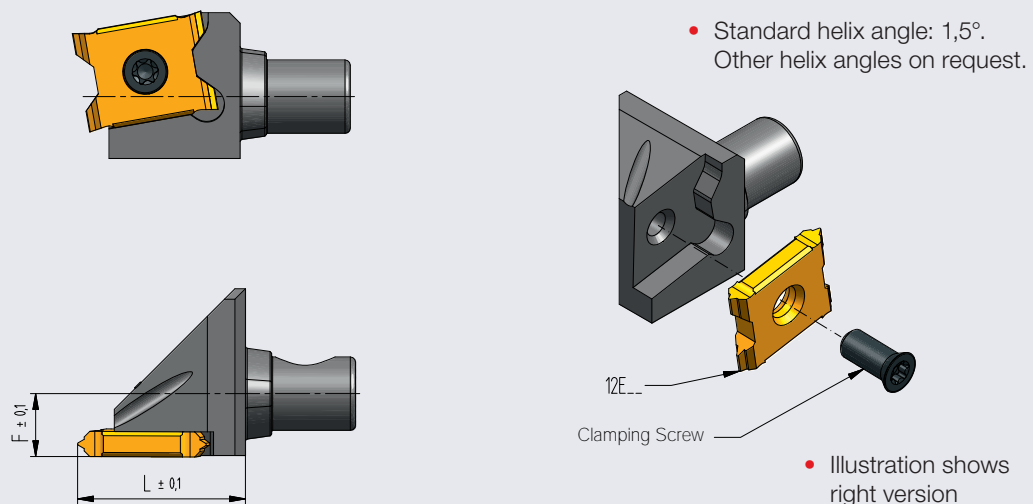
## TGAR...



Size	F	L	Indexable insert	Order number	Clamping screw	
16 (5/8")	8	22	TGAR4200	PZ16-K-TGAR-0822-42	BFTX0511N 5,0Nm/44lb-in	<input type="radio"/>
16 (5/8")	8	22	TGAR4400	PZ16-K-TGAR-0822-44	BFTX0511N 5,0Nm/44lb-in	<input type="radio"/>

● in stock ○ on request

## STS...thread cutting

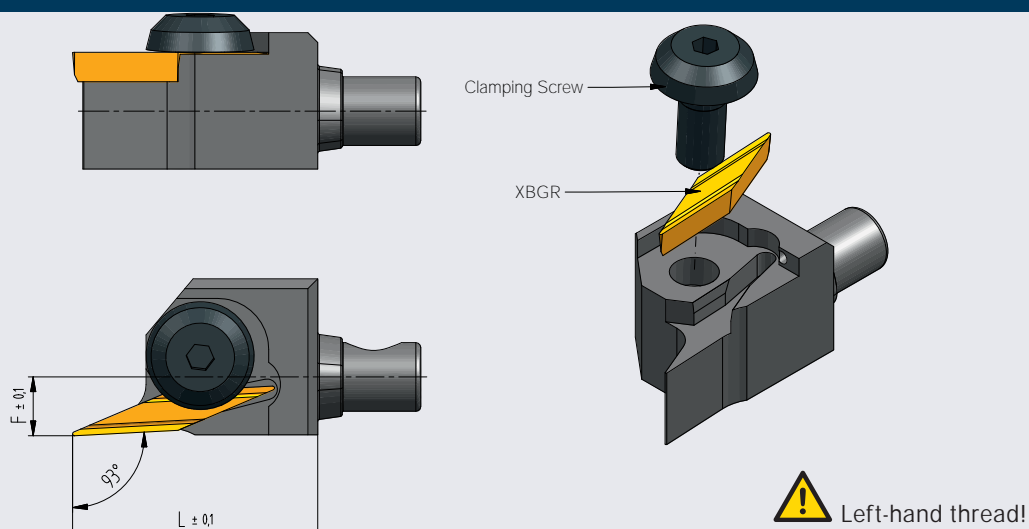


	Size	F	L	Indexable insert	Order number	Clamping screw	Mounting Position	
NEW	10	5	16	12E...	PZ10-K-STs-0516-12	STS T9xm3 2,0Nm/18lb-in	right	<input type="radio"/>
	12 (1/2")	6	16	12E...	PZ12-K-STs-0616-12	STS T9xm3 2,0Nm/18lb-in	right	<input checked="" type="radio"/>
	16 (5/8")	8	16	12E...	PZ16-K-STs-0816-12	STS T9xm3 2,0Nm/18lb-in	right	<input checked="" type="radio"/>
NEW	10	8	16	12E...	PZ10-K-STs-0816-12-L	STS T9xm3 2,0Nm/18lb-in	left	<input type="radio"/>
	12 (1/2")	10	16	12E...	PZ12-K-STs-1016-12-L	STS T9xm3 2,0Nm/18lb-in	left	<input checked="" type="radio"/>
	16 (5/8")	12	16	12E...	PZ16-K-STs-1216-12-L	STS T9xm3 2,0Nm/18lb-in	left	<input checked="" type="radio"/>



# Cutting heads

## CXJBR



Size	F	L	Indexable insert	Order number	Clamping screw	
12 (1/2")	6	25	XBGR	PZ12-K-CXJBR-0625-10	K17385 M5 links 4,0Nm/35lb-in	●
16 (5/8")	8	25	XBGR	PZ16-K-CXJBR-0825-10	K17385 M5 links 4,0Nm/35lb-in	●

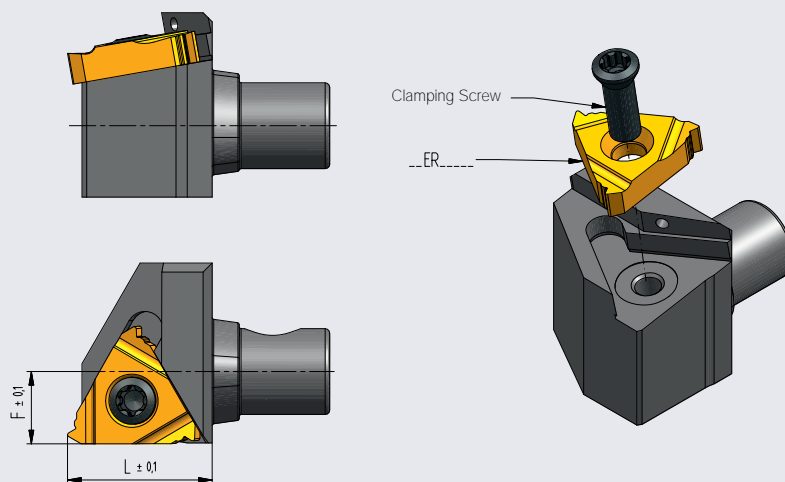
● in stock ○ on request

## SWISS<sup>®</sup>line XBG 20° inserts for CXJBR cutter heads

Order number	R
XBGN100302-TIN	0,2
XBGN100304-TIN	0,4
XBGR100302SPR-TIN	0,2
XBGR100304SPR-TIN	0,4
XBGR100302SPL-TIN	0,2
XBGR100304SPL-TIN	0,4
XBGR100302SPN-TIN	0,2
XBGR100304SPN-TIN	0,4

# Cutting heads

## ER...11/16 thread cutting

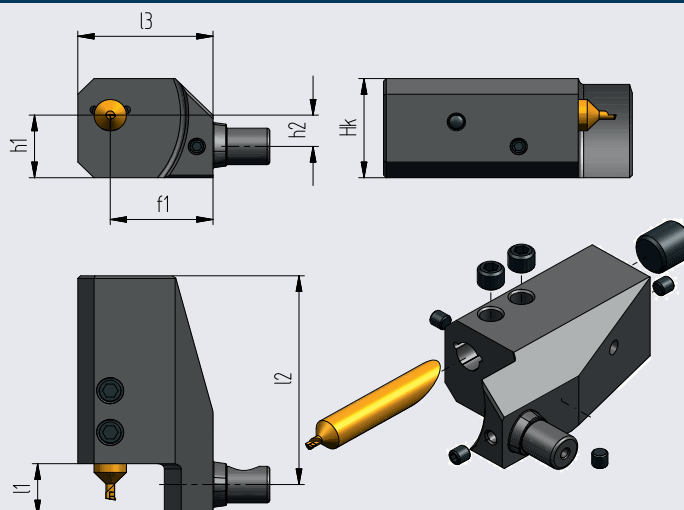


	Size	F	L	Indexable insert	Order number	Clamping screw	
NEW	10	5	16	2ER...ISO (11)	PZ10-K-ER-0516-11-1.5*	123010 1,5Nm/13lb-in	○
	12 (1/2")	6	16	2ER...ISO (11)	PZ12-K-ER-0616-11-1.5*	SN2T 1,5Nm/13lb-in	○
	12 (1/2")	6	16	3ER...ISO (16)	PZ12-K-ER-0616-16-1.5*	123511P 3,5Nm/31lb-in	●
	16 (5/8")	8	16	2ER...ISO (11)	PZ16-K-ER-0816-11-1.5*	SN2T 1,5Nm/13lb-in	○
	16 (5/8")	8	16	3ER...ISO (16)	PZ16-K-ER-0816-16-1.5*	123511P 3,5Nm/31lb-in	●

\* Helix angle 1.5°

● in stock ○ on request

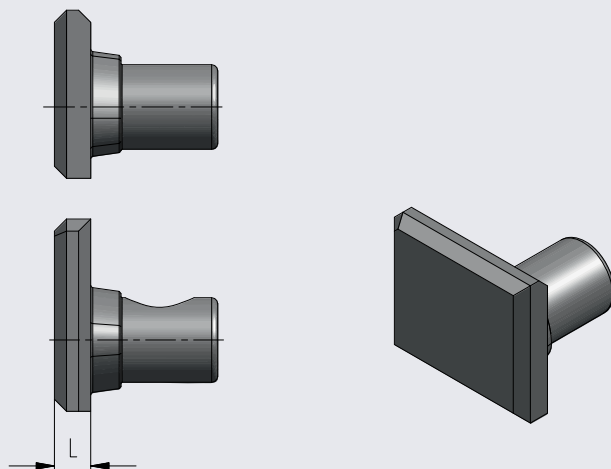
## IN<sup>®</sup>turn



	Size	l1	l2	l3	h1	h2	Hk	f1	Order number	
	12 (1/2")	0	26	25	12	6	19	19	PZ12-K-IN6-0-0619	○
	16 (5/8")	0	24	26	16	8	23	19	PZ16-K-IN6-0-0619	○
	12 (1/2")	10	36	25	12	6	19	19	PZ12-K-IN6-10-0619	○
	16 (5/8")	10	34	31	16	8	23	24	PZ16-K-IN6-10-0624	○

● in stock ○ on request

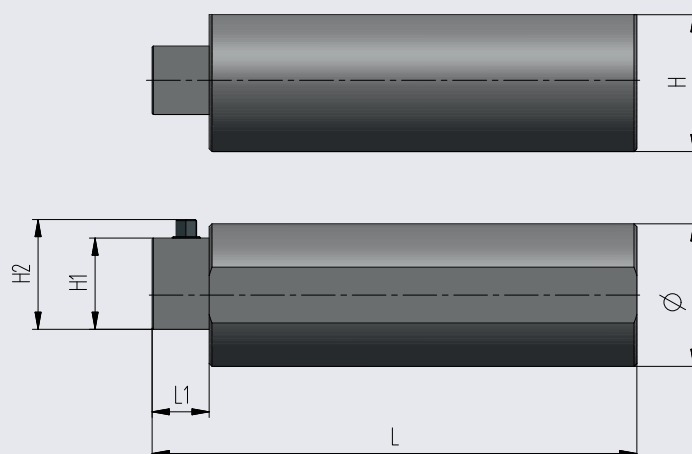
## Blind plugs for shanks



	Size	L	Order number	
NEW	10	2	PZ10-BS-3-E22254	○
	12 (1/2")	3	PZ12-BS-3-E21205	●
	16 (5/8")	4	PZ16-BS-4-E21206	●

● in stock ○ on request

## Milling device for blanks

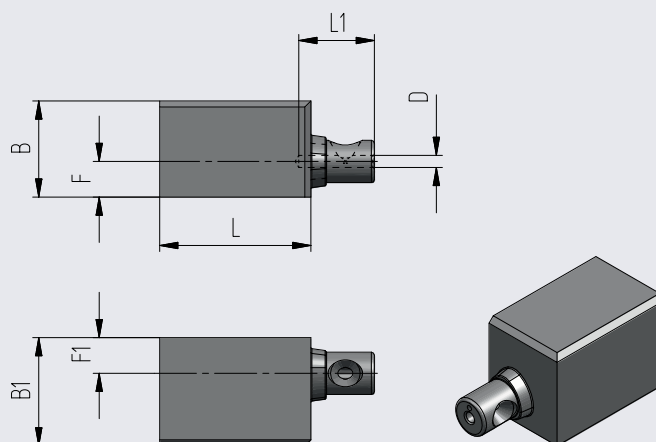


	Size	Ø	H	H1	H2	L	L1	Order number	
NEW	10	25	24	13,5	16,5	85	9,5	PZ10-D25-85	○
	12 (1/2")	25	24	16	20,2	85	10	PZ12-D25-85	●
	16 (5/8")	25	24	20	25,5	85	12	PZ16-D25-85	●

● in stock ○ on request

# Blanks

## Rectangular

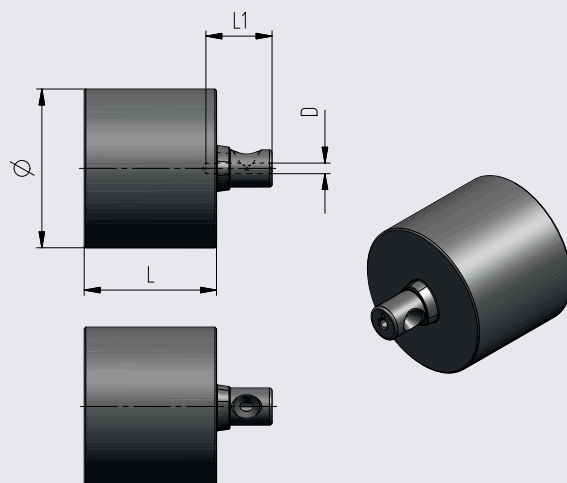


	Size	B	B1	L	L1	F	F1	D	Order number	use for	
NEW	10	13,4	11,9	16+1	10,5	4,9	4,9	1,5	PZ10-R-L16	Standard cutting heads	○
NEW	10	13,4	11,9	22+1	10,5	4,9	4,9	1,5	PZ10-R-L22	Standard cutting heads	○
NEW	10	13,4	13,9	16+1	10,5	4,9	4,9	1,5	PZ10-R-L16-E19114	GND-cutting heads	○
NEW	10	13,4	13,9	22+1	10,5	4,9	4,9	1,5	PZ10-R-L22-E22244	GND-cutting heads	○
	12 (1/2")	14,1	16,1	30+1	12,5	5,9	5,9	2	PZ12-R-L30	Standard cutting heads	●
	12 (1/2")	18,1	16,1	25+1	12,5	5,9	5,9	2	PZ12-R-L25-E16954	GND-cutting heads	●
	16 (5/8")	18,1	20,1	30+1	15,5	7,9	7,9	2,5	PZ16-R-L30	Standard cutting heads	●
	16 (5/8")	22,1	20,1	25+1	15,5	7,9	7,9	2,5	PZ16-R-L25-E17163	GND-cutting heads	●
	16 (5/8")	21,9	19,9	35+1	13	7,9	7,9	2,5	PZ16-R-L35-E20489	GND-cutting heads	●
NEW	16 (5/8")	18,1	19,9	35+1	15,5	7,9	7,9	2,5	PZ16-R-L35	GND-cutting heads	●
NEW	16 (5/8")	19,9	21,9	25+1	13,8	7,9	7,9	3	PZ16-R-L25-E20396	GND-cutting heads	●

● in stock ○ on request

# Blanks

## Round

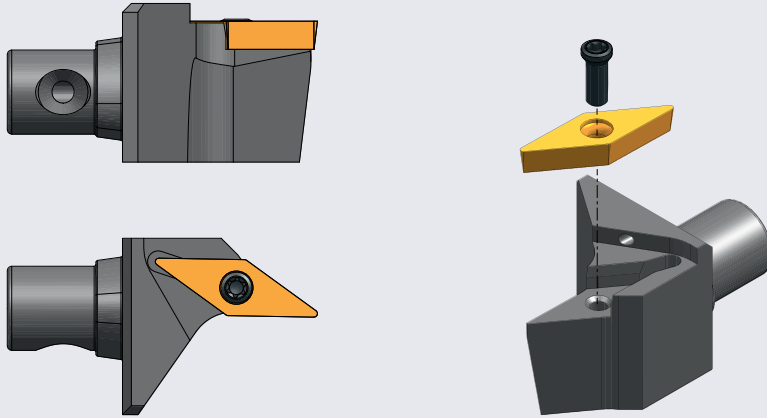


	Size	L	L1	Ø	D	Order number	
NEW	10	24+1	10,5	25	1,5	PZ10-R-D25-L22-RV	○
	12 (1/2")	25+1	12,5	30	2	PZ12-R-D30-L25-RV	●
	16 (5/8")	30	15,5	35	2,5	PZ16-R-D35-L30-RV	●

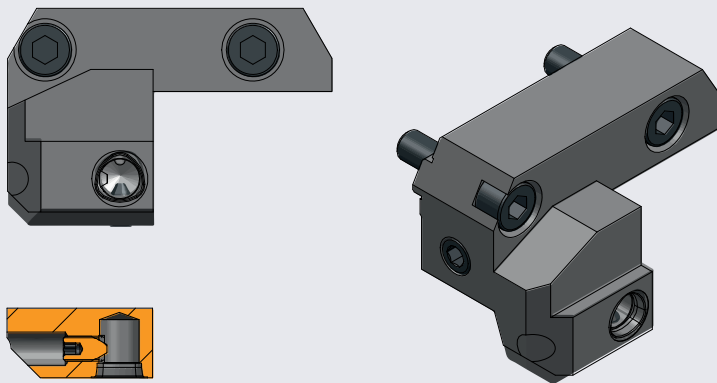
● in stock ○ on request

# Examples of special solutions

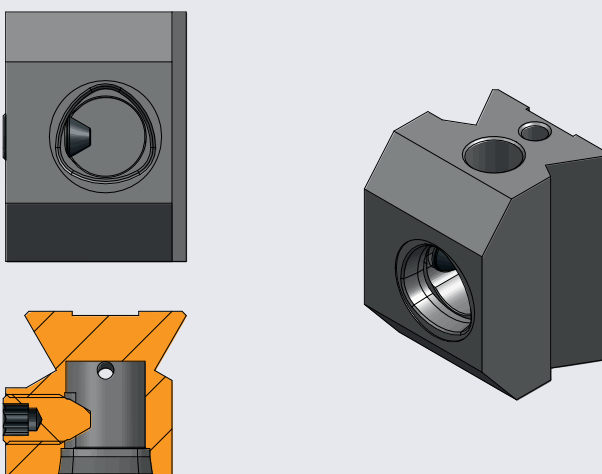
## Various series



- Example of a special cutting head



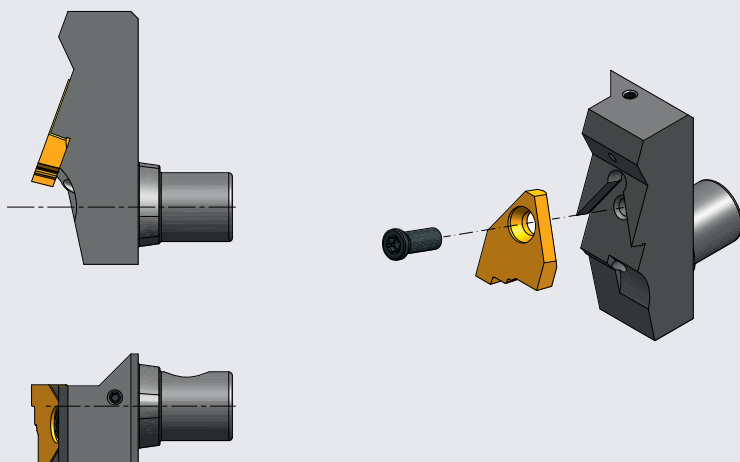
- Example of a special solution for Komet facing slide head



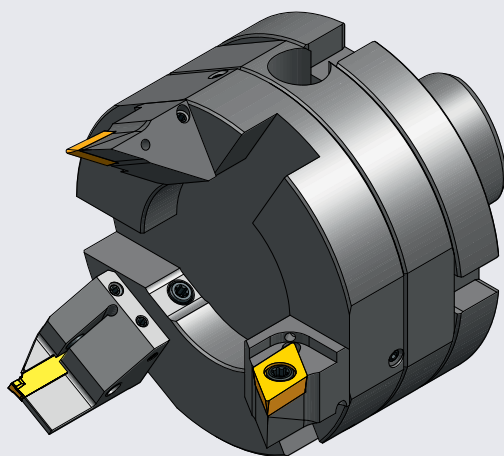
- Example of a special solution for Göltenbodt System

# Examples of special solutions

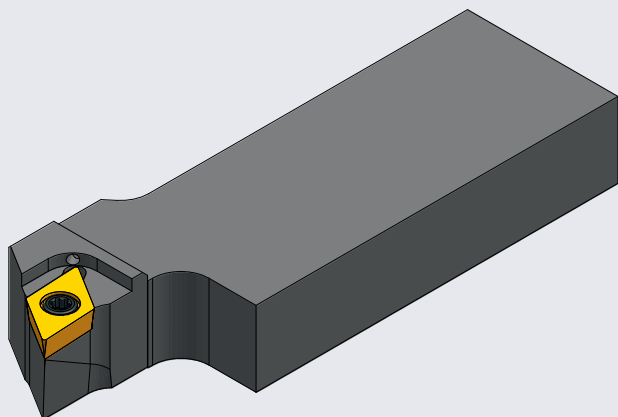
## Various series



- Example of a special cutting head



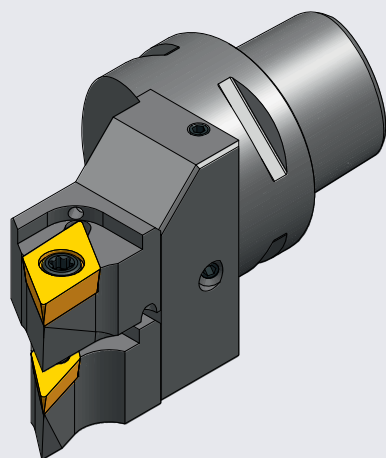
- Example of a special tool holder



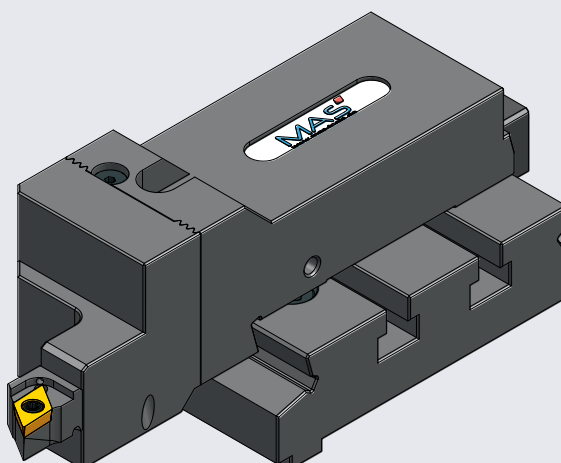
- Example of a special shank

# Examples of special solutions

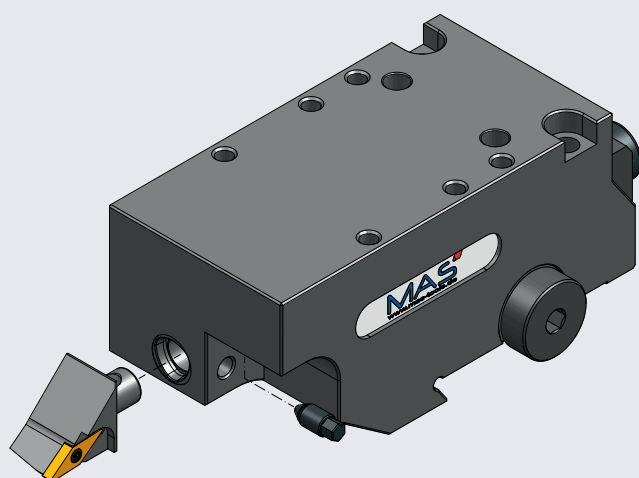
## Various series



- Example of a special tool holder



- Example of a special multi-spindle tool holder

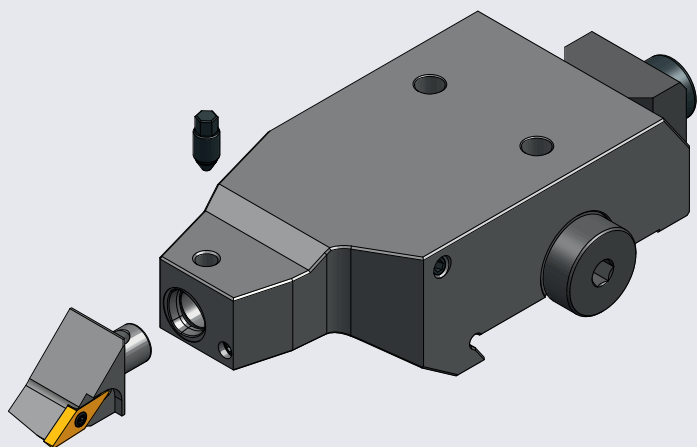


- Example of a special tool holder

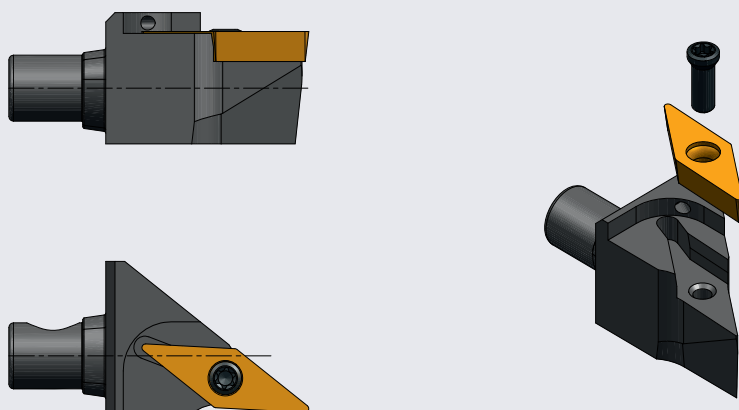


# Examples of special solutions

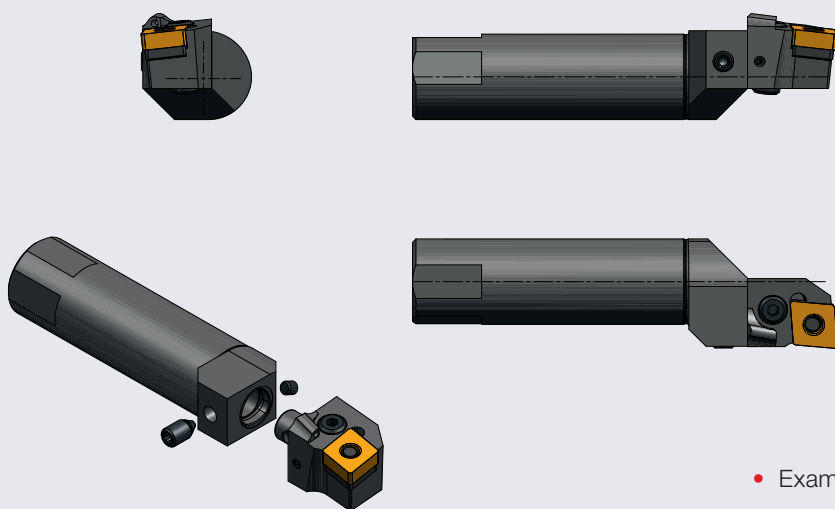
## Various series



- Example of a special tool holder



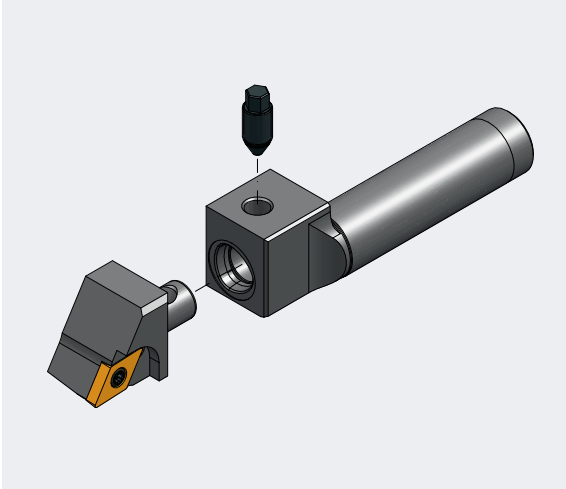
- Example of a special cutting head



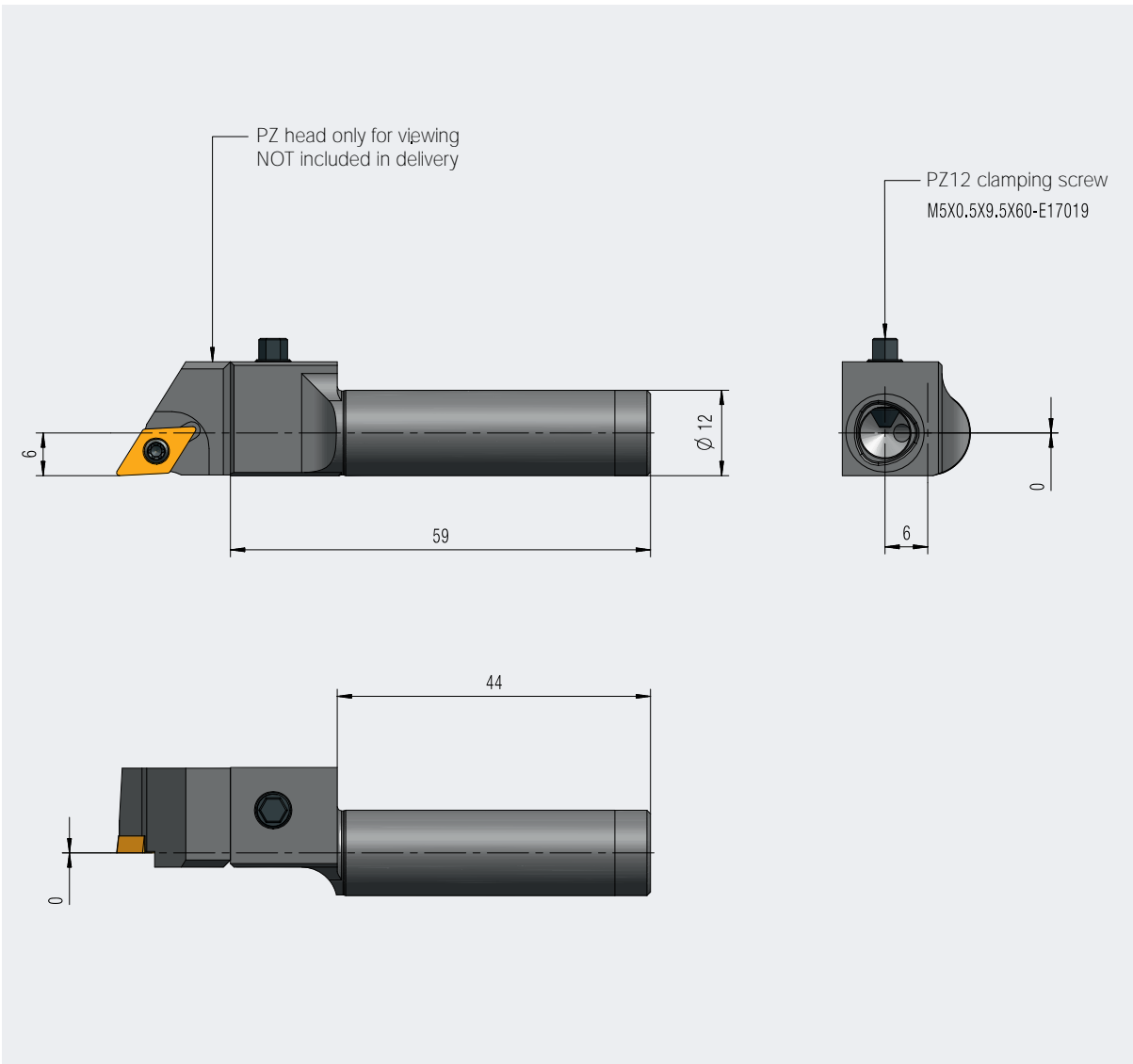
- Example of a special holder

# Accessories

## MEX<sup>®</sup>turn - tool holder / Clamping diameter 1x D12

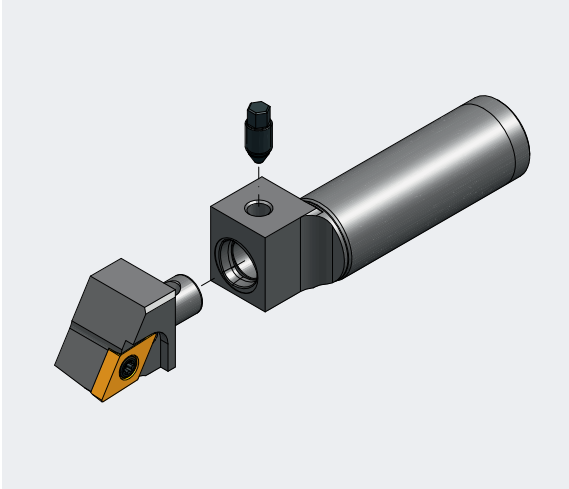


MAS-ID	Order number
E00022479	PZ12-MEX12-59

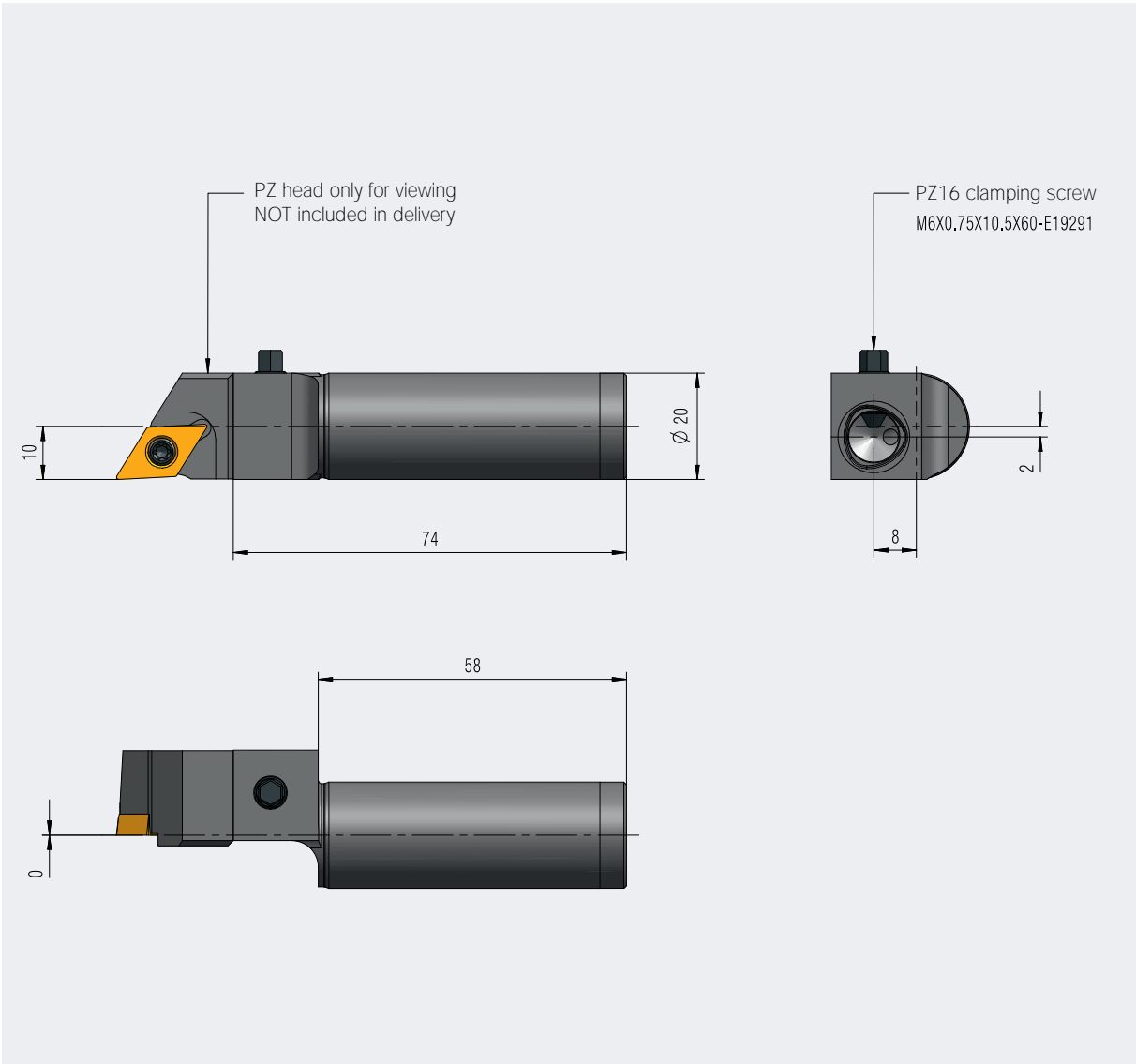


# Accessoires

## MEX<sup>®</sup>turn - tool holder / Clamping diameter 1x D20



MAS-ID	Order number
E00022437	PZ16-MEX20-74



# Accessoires

## Torque interchangeable blade and hexagonal insert



Size	Application area	Order number	For clamping screw	
1/4"	PZ10 / PZ12 (1/2") und 16 (5/8")	WECHSELKLINGE 1/4 ZOLL	-	●
AF 3,5 (mm)	PZ10 / PZ12 (1/2")	6-KANT EINSATZ SW 3,5	Hexagon head	●
AF 4,5 (mm)	PZ16 (5/8")	6-KANT EINSATZ SW 4,5	Hexagon head	●
T10	PZ10 / PZ12 (1/2")	WECHSELKLINGE T10	Torx	●
T20	PZ16 (5/8")	WECHSELKLINGE T20	Torx	●

● in stock ○ on request

## Torque screwdriver



Size	Application area	Order number	
3,0Nm/27lb-in	PZ10 / PZ12 ( 1/2" )	DSH-3Nm	●
4,0Nm/35lb-in	PZ16 ( 5/8" )	DSH-4Nm	●

● in stock ○ on request

# Accessoires

## Lubricant

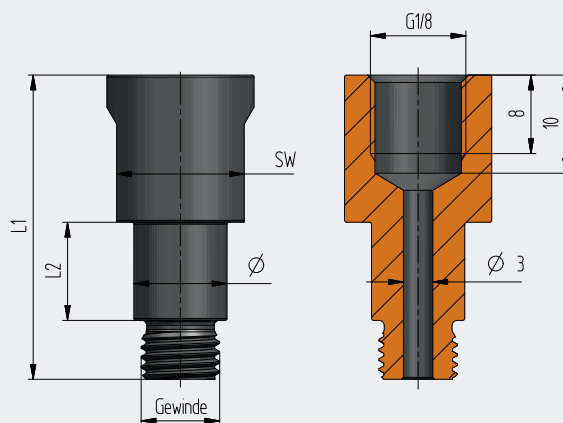


### Order number

PZ-SCHMIERSTOFF-E22335

in stock  on request

## Coolant adapter



Size	L	L 2	Thread	Ø	AF	Order number	
10 / 12 (1/2")	31	10	M8x1	9,5	13	KMB-E22889	<input checked="" type="radio"/>
16 (5/8")	31	10	G1/8	12	14	KMB-E23088	<input checked="" type="radio"/>

in stock  on request

# Accessoires

## Coolant adapter

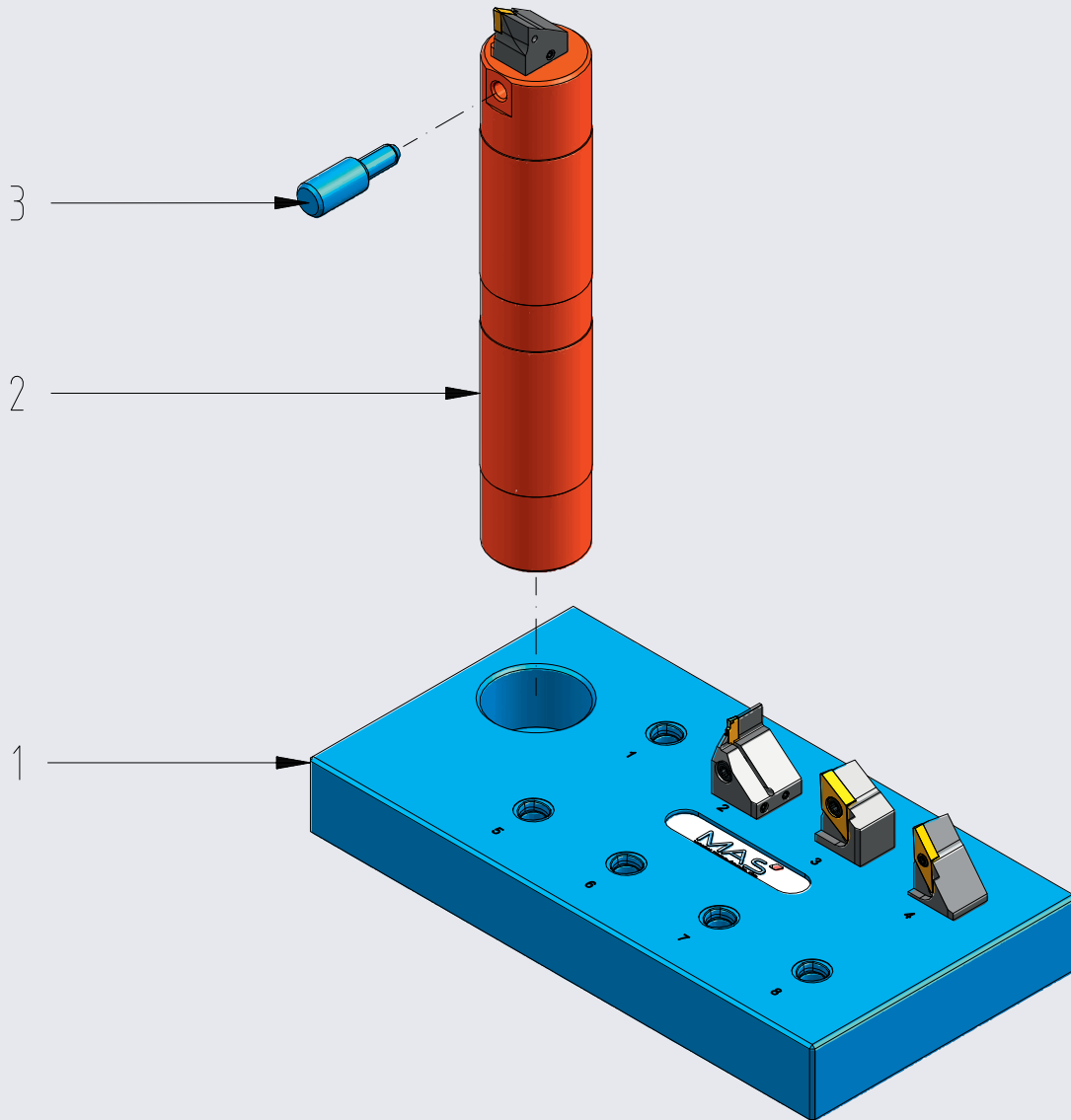


Order number	
Z00000028	G1/8" auf Schnellkupplung

in stock  on request

# Accessories

## PZ changing device



- Changing device is delivered without tools

Size	Order number set complete	Order number exchange station 1	Order number mounting handle 2	Order number clamping screw 3	
<b>NEW</b> 10	PZ10-WES-SET-Z808	PZ10-WES-E22408	PZ10-MTG-E22410	M6X12.5X60-E22412	●
12 (1/2")	PZ12-WES-SET-Z642	PZ12-WES-E20579	PZ12-MTG-E21193	M6x12,5x60	●
16 (5/8")	PZ16-WES-SET-Z643	PZ16-WES-E20580	PZ16-MTG-E21194	M6x12,5x60	●

● in stock ○ on request



CM MARANGONI SRL

Viale dell'Industria, 15/17

I - 36057 Arcugnano VI

[www.cmmarangoni.com](http://www.cmmarangoni.com)

# PROMOZIONE

## Chiavi dinamometriche

03.03.2021

### Chiavi modulari ergonomiche Bit dinamometrico estremamente compatto



**Chiave a T 3.0-5.5**  
98x61 mm  
SW 6.3 mm

**Bit dinamometrico 3.0 Nm**  
Ø12x28 mm  
SW 6.3 mm



**Bit dinamometrico 4.0 Nm**  
Ø12x28 mm  
SW 6.3 mm



**Bit dinamometrico 5.0 Nm**  
Ø12x28 mm  
SW 6.3 mm



**CHIAVE T**  
+  
**1 BIT**  
a scelta

**€ 49.00**



**Chiave a T 3.0**  
71x38 mm  
SW 6.3 mm

**Bit dinamometrico 3.0 Nm**  
Ø12x28 mm  
SW 6.3 mm



**Bit dinamometrico 4.0 Nm**  
Ø12x28 mm  
SW 6.3 mm



**Bit dinamometrico 5.0 Nm**  
Ø12x28 mm  
SW 6.3 mm



**CHIAVE T**  
+  
**1 BIT**  
a scelta

**€ 40.00**